

## Milos puff m

by Jean-Marie Massaud

The Milos collection marks **Vondom's first collaboration with esteemed French designer Jean-Marie Massaud** and exemplifies the harmonious fusion of simplicity and functionality in exquisite garden furniture.

The exceptional design of the Milos collection was recently honored with the **Reddot Design Award 2024**, solidifying its well-deserved reputation as a pioneer of innovation and style in contemporary outdoor furniture, setting new standards for aesthetic excellence.



## Info

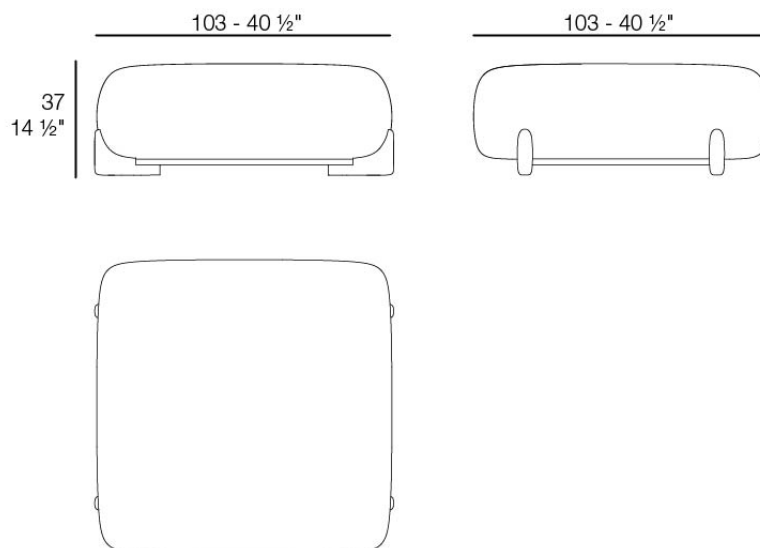
---

### Description

This modular sofa combines the durability of flexible polyurethane foam with the natural beauty of iroko wood.

Its design integrates top-quality solutions and materials, especially conceived to withstand outdoor conditions without compromising warmth and comfort.

Weight: 13.9 Kg



MILOS Puff M  
MILOS Ottoman M  
Ref. 70029

## Finishes

---

### finishes

---

POLYURETHANE

Ref. 70029

Furniture made of flexible polyurethane injected cold. This material possesses a high resilience and durability.

