

Milos coffee table

by Jean-Marie Massaud

The Milos collection is **Vondom's first collaboration with French designer Jean-Marie Massaud**. An example of the harmonious fusion of simplicity and functionality to create an outdoor furniture that embodies elegance and comfort. Characterized by its soft curves, this collection focuses on providing comfort.

The Milos Collection was awarded the **Reddot Design Award 2024**.



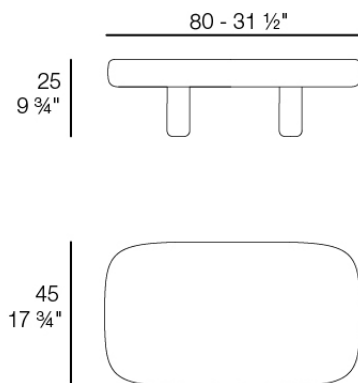
Info

Description

The coffee tables represent the essence of the Mediterranean lounge style of the Milos collection. These tables are manufactured, featuring a cement surface available in different finishes.

They stand out for their iroko wood legs, which not only add a touch of warmth and sophistication, but also ensure the stability and connection with nature that is characteristic of Milos.

Weight: 30.4 Kg

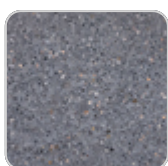


MILOS Mesa Centro 80 x 45
MILOS Low Table 31 1/2 x 17 3/4"
Ref. 70018

Finishes

finishes

CEMENT
Ref. 70018



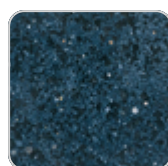
traffic gray



modo green



purjai red



note blue



crema



castor fiber

Ambients

