

Manta swivel caster armchair

by Eugeni Quitllet

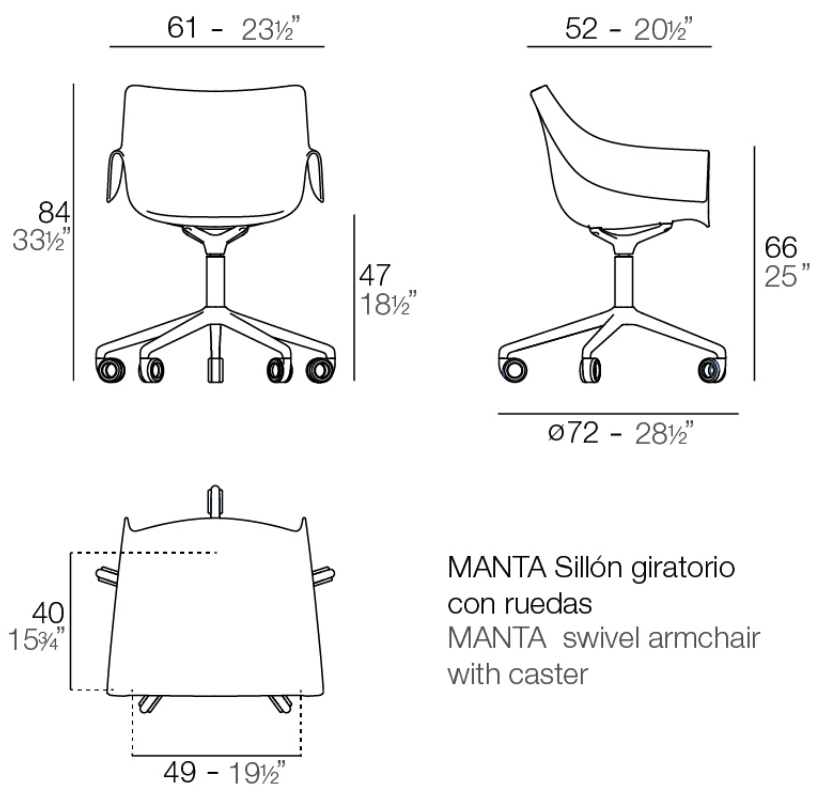
Introducing our latest collection of chairs suitable for both indoor and outdoor use. The Manta chair is an incredibly versatile piece that will fit effortlessly into any space, be it a home, workplace or public venue. The chair's interchangeable design includes seats and bases that can be combined in a variety of ways, offering endless possibilities to create the ideal seating solution for any environment.



Info

Description

Weight: 7.53 Kg



MANTA Sillón giratorio
con ruedas
MANTA swivel armchair
with caster

Finishes

finishes

BASIC PP
Ref. 65054



white



ecru



black

Available in various colors

legs

LEGS
Ref. 65054E



white 201



black 2002

Ambients

