

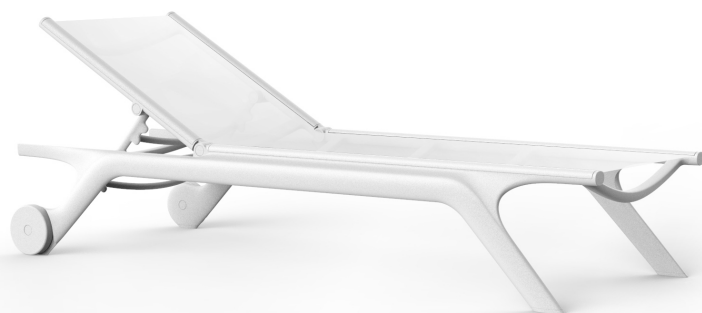
Africa sun lounger

by Eugeni Quitllet



GOOD DESIGN 2021 WINNER
Africa sun lounger

The Africa furniture collection is designed by Eugeni Quitllet, for Vondom. The designer speaks of it saying “The most simple things are the most original. . . The most original thing is to be simple. . .”

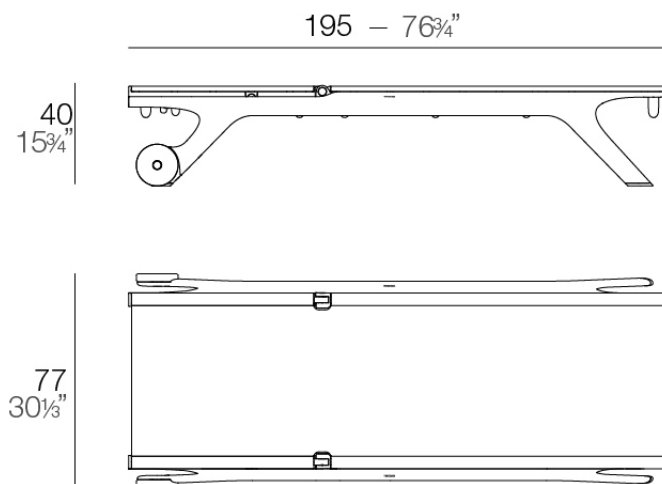


Info

Description

Made from polypropylene and reinforced with fiberglass manufactured by gas injection. Stackable . Available in various colors. Suitable for indoor and outdoor use.

Weight: 24.36 Kg



AFRICA Tumbona
AFRICA Sun Chaise

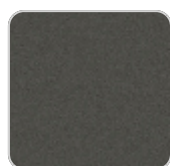
Finishes

finishes

BASIC PP
Ref. 65048



white



grey



ecru

Available in various colors

Ambients

