

Ufo chair

by Ora İto

The UFO design furniture collection, designed by Ora İto for Vondom, is the outcome of “genetic mutation experiments” between the iconic languages of pagodas and UFOs. One of its distinctive features is the contrast created by the **negative and positive shapes**.

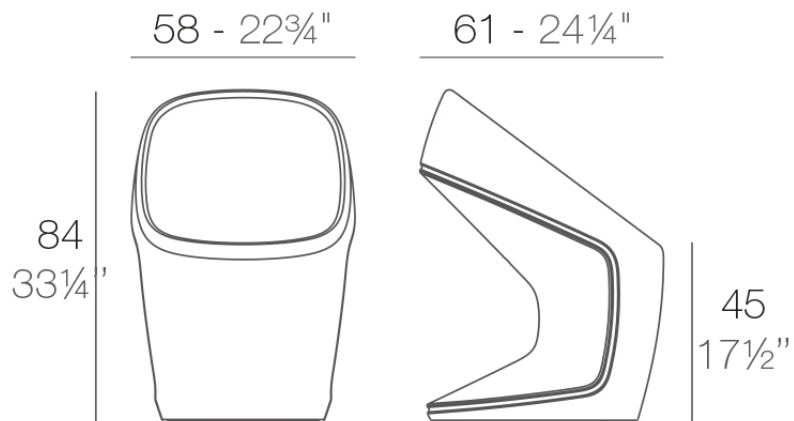


Info

Description

Made of polyethylene resin by rotational moulding. 100% Recyclable. Item suitable for indoor and outdoor use. Available in different finishes.

Weight: 10 Kg



UFO Silla
UFO Chair

Accessories

- **Fabric**

Fabric

Finishes

finishes

BASIC

Ref. 63004



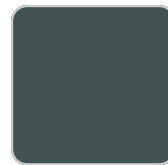
orange



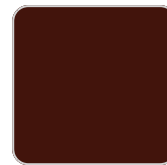
notte blue



crema



green



purjai red



white



black



bronze



steel



anthracite



red



khaki



taupe



ecru



beige

Matt Polyethylene

LACQUERED

Ref. 63004F



orange



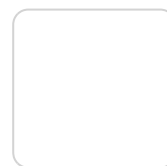
notte blue



crema



purjai red



white

VONDOM



black



bronze



steel



anthracite



red



khaki



taupe



ecru



beige



modo green



champany

Lacquered Polyethylene

lighting

WHITE LED
Ref. 63004W



ice

White internally lit unit with LED technology. Available only in matte ice white finish.

RGBW LED
Ref. 63004L



ice

Unit with internal lighting with RGBW LED technology and remote control unit for switching colors. Available only in matte ice white finish. Remote control included.

RGBW LED BATTERY

Ref. 63004Y

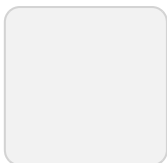


ice

Unit with internal lighting with battery-powered RGBW LED technology. Includes charger and remote control for switching colors and charger. Available only in matte ice white finish.

RGBW LED DMX BATTERY

Ref. 63004DY



ice

Unit with internal lighting with RGBW LED technology and remote control unit for switching colors. Also controlled by DMX-1024 (wireless), enabling communication between one or more products simultaneously via the DMX transmitter (not included). There are two options to choose from: Professional XLR DMX and Home WIFI DMX. (Remote control included).

Ambients

