

## Incasso armchair

by Archirivolto Design



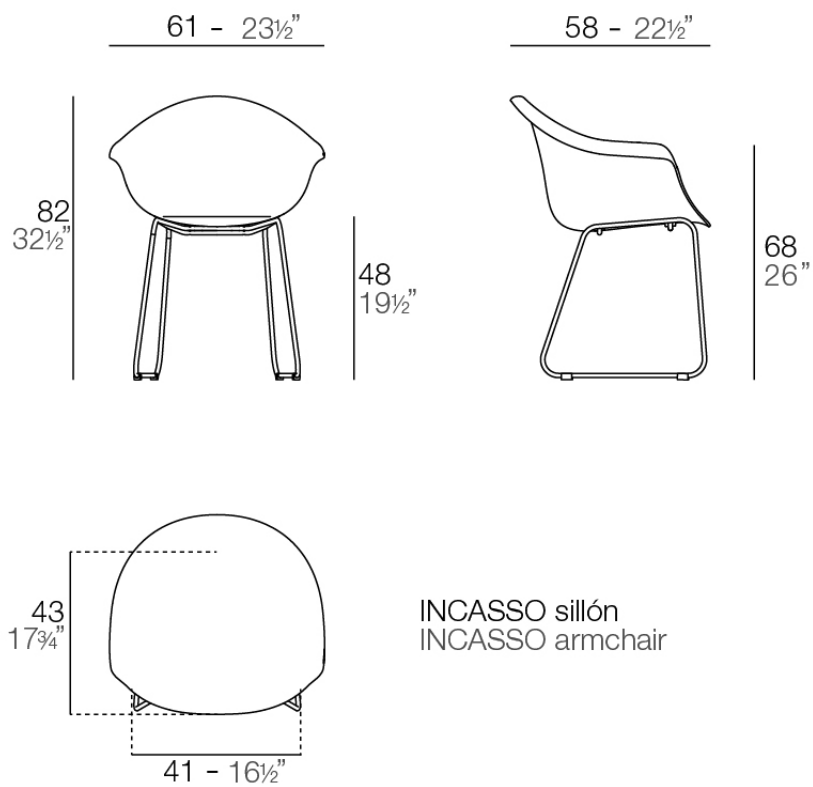
## Info

---

### Description

Made from polypropylene and reinforced with fiberglass manufactured by gas injection. Available in various colors. Suitable for indoor and outdoor use.

Weight: 5.6 Kg



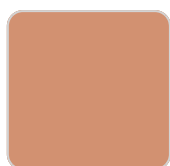
## Finishes

---

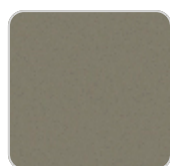
### finishes

---

BASIC PP  
Ref. 56034



melon



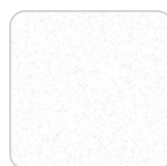
tortora



ecru



black



white

Available in various colors

### legs

---

LEGS  
Ref. VVAR03438



white



black

## Ambients

---

