

Pezzettina armchair

by Archirivolto Design

Pezzettina modern outdoor furniture collection is designed by Archirivolto Design for Vondom. The collection takes inspiration from nature and translates it into a unique and original product with fluid and expressive forms.

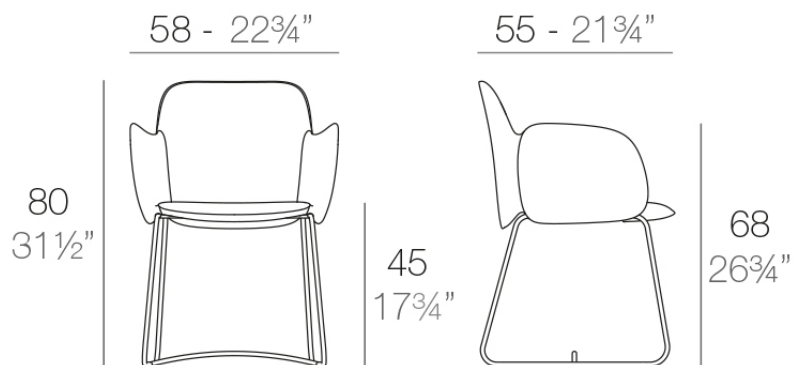


Info

Description

Made of polyethylene resin by rotational moulding. The legs are made in stainless Steel with power coated in colour to match the seat. Item suitable for indoor and outdoor use. Available in different finishes.

Weight: 10.86 Kg



PEZZETTINA Silla con brazos
PEZZETTINA Armchair

Finishes

finishes

BASIC

Ref. 56005



purjai red



orange



notte blue



crema



white



black



bronze



steel



anthracite



red



khaki



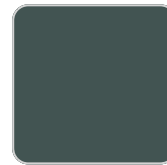
taupe



ecru



beige



green



ice

Matt Polyethylene

LACQUERED

Ref. 56005F

VONDOM



modo green



purjai red



orange



notte blue



crema



white



black



bronze



steel



anthracite



champany



red



khaki



taupe



ecru



beige

Lacquered Polyethylene

Ambients

