

Hamptons lounger table

by Ramón Esteve

The **new Hamptons collection** presents a stunning selection of **designer outdoor furniture** meticulously designed to evoke a lifestyle defined by elegance. Through a careful selection of fabrics and patterns, each piece resonates with sophistication, inviting you to indulge in the finer details of outdoor living. This collection embodies a sense of refinement that reflects the essence of luxury living in every aspect of its design.



Info

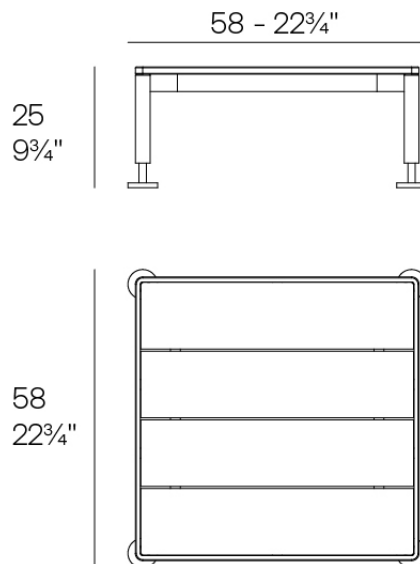
Description

The lounge table in the collection is distinguished by its solid aluminium structure, which makes it a light and sturdy option, especially suitable for outdoor environments. Its surface is made of HPL laminate,

a durable and easy-to-maintain material. The polished aluminium legs add elegance and a touch of shine.

Available in a wide range of colours, both for the aluminium structure and the HPL surface.

Weight: 21.86 Kg



HAMPTONS Mesa Tumbona
HAMPTONS Sun Lounger Table

Finishes

finishes

ALUMINIUM

Ref. 54813



white



british gray



traffic gray



black



ecru



crema



castoro fiber



cacao



notte blue



modo green



pickle



almond



red



purjai red



melon



mostaza

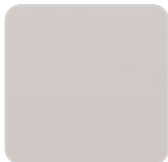
Lacquered aluminium profile.

tabletops

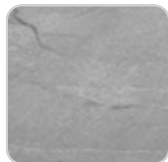
Solid Core

Ref. 54813CEN

VONDOM



piombo gray



yule gray



gioia bianco



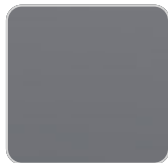
cacao



british gray



modo green



traffic gray



purjai red



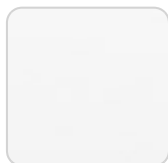
crema



notte blue



castoro fiber



white (white edge)



yule brown

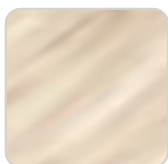


pulpis gray



kandia black

Solid Core wood Ref. 54813CEN



oak1



oak2

Ambients

