

Vineyard planter xl wheel

by Ramón Esteve

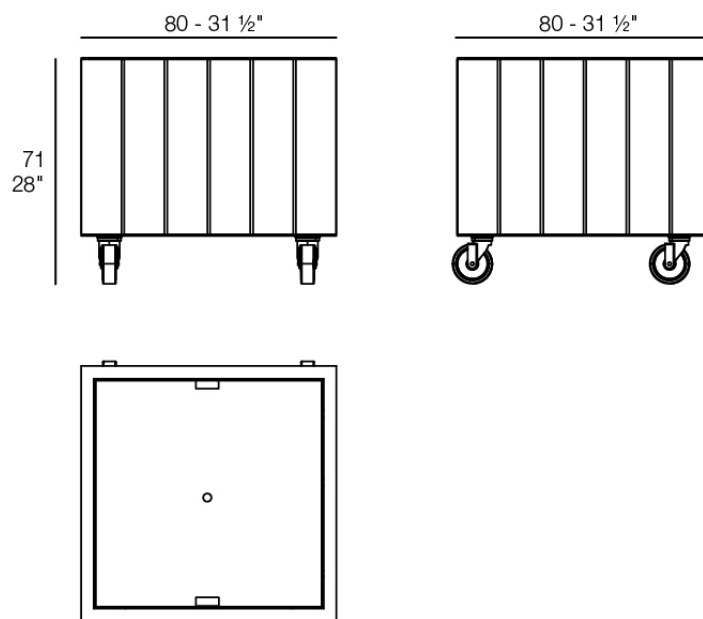
Vineyard Collection, by Ramon Esteve, is an aluminum and wooden modern outdoor furniture collection with a rustic and warm style.



Info

Description

Weight: 43.7 Kg

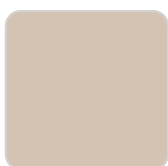


VINEYARD Maceta 800 x 800 C = 248 L
VINEYARD Planter 31 1/2" x 31 1/2" C = 65 gal

Finishes

finishes

ALUMINIUM
Ref. 54509SU



crema



castoro fiber



cacao

panel/top

Teak
Ref. 54509AA



natural teak



weathered teak

