

Vineyard extra-large coffee table legs

by Ramón Esteve

Designed by Ramón Esteve, the Vineyard collection is a testament to the excellence of wooden modern outdoor furniture crafted with a harmonious fusion of aluminum and wood. This collection not only embodies a modern aesthetic, but also exudes a rustic warmth that blends effortlessly into a variety of outdoor spaces.

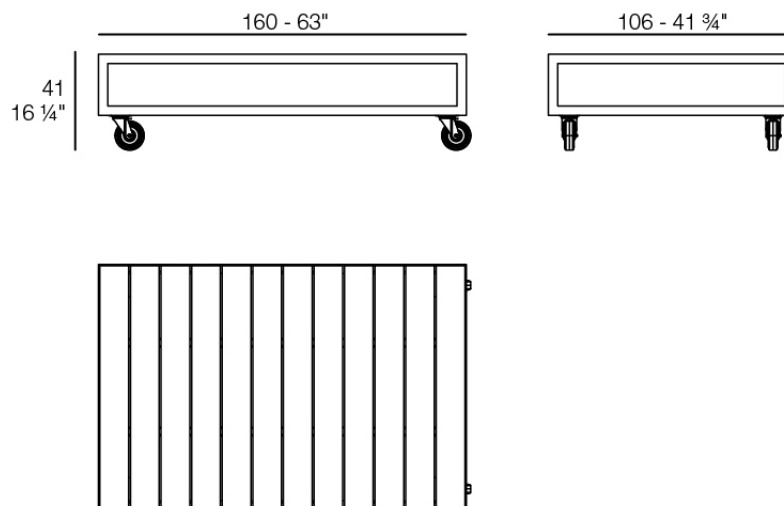
Each piece in the Vineyard collection exemplifies Ramón Esteve's signature craftsmanship and meticulous attention to detail, ensuring both style and durability in outdoor furnishings. Ideal for those who appreciate quality and sophistication, this collection offers a perfect blend of form and function.



Info

Description

Weight: 60 Kg



VINEYARD Mesa XL
VINEYARD Table XL

Finishes

finishes

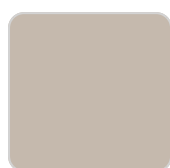
ALUMINIUM
Ref. 54504ZSU



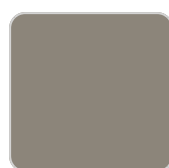
white



smoked



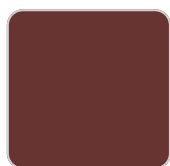
ecru



tortora



cream



garnet



brown



green



blue



gray



anthracite



black

panel/top

Teak
Ref. 54504AA



natural teak



weathered teak

Ambients

