

Quartz dining table 79x79

by Ramón Esteve

The Quartz modern chairs and tables collection, designed by Ramón Esteve for Vondom, possesses an distinctive appearance featuring **perpendicular lines** and triangular profiles. Due to the line of one of its vertices this collection appears extremely light.

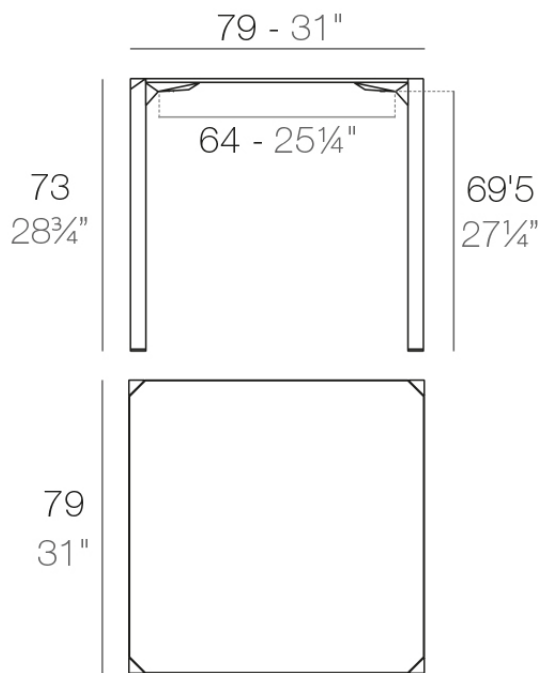


Info

Description

Made from polypropylene and reinforced with fiberglass manufactured by gas injection. Available in various colors. Suitable for indoor and outdoor use.

Weight: 10.45 Kg



QUARTZ Mesa 79 x 79
QUARTZ Table 31" x 31"

Finishes

finishes

BASIC PP
Ref. 54205



white



black



ecru

Available in various colors

tabletops

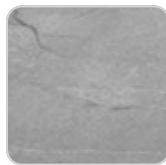
Solid Core
Ref. VVAR02393



kandia black



cacao



yule gray



modo green



gioia bianco



purjai red



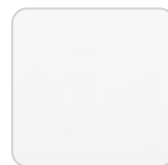
british gray



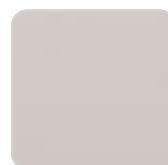
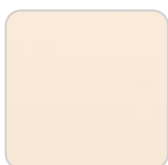
notte blue



traffic gray



white (white edge)



VONDOM

crema

castoro fiber

yule brown

pulpis gray

piombo gray

HPL

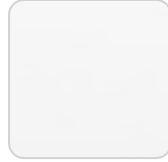
Ref. VVAR02393



black(black edge)



ecru(black edge)



white(black edge)

HPL black edge

Solid Core wood

Ref. VVAR02393



oak1



oak2

