

## Quartz dining table 69x69

by Ramón Esteve

The Quartz collection of modern chairs and tables, designed by Ramón Esteve for Vondom, has a distinctive appearance characterized by **vertical lines** and triangular profiles. One of its outstanding features is the line of one of its vertices, which creates an impression of lightness, making the furniture seem almost weightless, while still ensuring robust functionality.

Crafted with high quality materials, this modern collection of chairs and tables is perfect for enhancing both indoor and outdoor spaces. With its elegant design and durability, the Quartz collection blends seamlessly into any environment, striking the perfect balance between form and function.



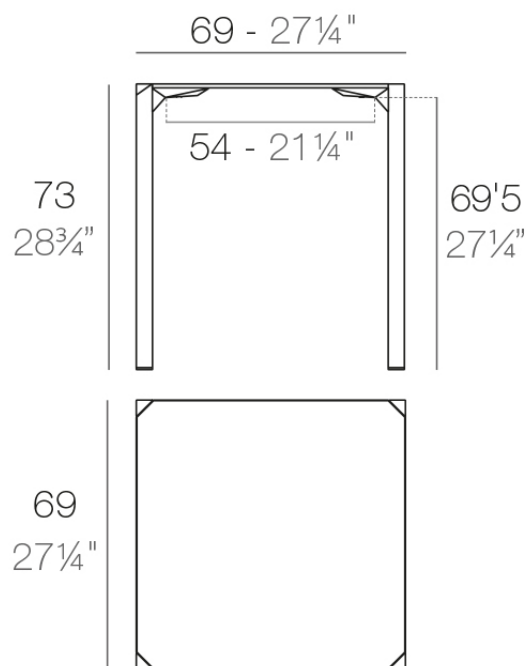
## Info

---

### Description

Made from polypropylene and reinforced with fiberglass manufactured by gas injection. Available in various colors. Suitable for indoor and outdoor use.

Weight: 8.51 Kg



QUARTZ Mesa 69 x 69  
QUARTZ Table 27 1/4" x 27 1/4"

## Finishes

---

### finishes

---

BASIC PP  
Ref. 54204



white



ecru



black

Available in various colors

### tabletops

---

HPL  
Ref. VVAR02392



white(black edge)



ecru(black edge)

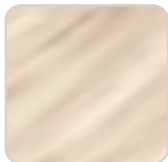


black(black edge)

HPL black edge

Solid Core wood  
Ref. VVAR02392

# VONDOM



oak1



oak2

# VONDOM