

## Quartz dining table ø100

by Ramón Esteve

The Quartz modern chairs and tables collection, designed by Ramón Esteve for Vondom, possesses an distinctive appearance featuring **perpendicular lines** and triangular profiles. Due to the line of one of its vertices this collection appears extremely light.



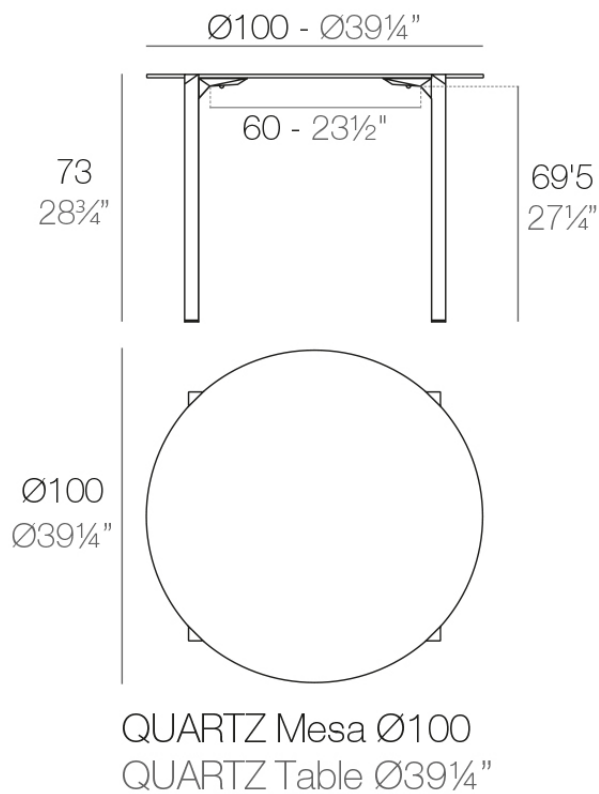
## Info

---

### Description

Made from polypropylene and reinforced with fiberglass manufactured by gas injection. Available in various colors. Suitable for indoor and outdoor use.

Weight: 13.06 Kg



## Finishes

---

### finishes

---

BASIC PP  
Ref. 54202



white



black



ecu

Available in various colors

### tabletops

---

Solid Core  
Ref. VVAR02390



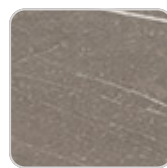
crema



yule brown



castoro fiber



pulpis gray



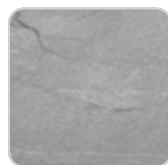
piombo gray



kandia black



cacao



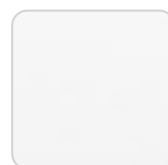
yule gray



modo green



gioia bianco



# VONDOM

purjai red

british gray

notte blue

traffic gray

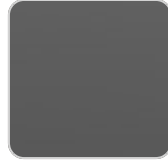
white (white edge)

## HPL

Ref. VVAR02390



white(black edge)



black(black edge)



ecru(black edge)

## HPL black edge

## Solid Core wood

Ref. VVAR02390



oak1



oak2

