

Quartz dining table ø69

by Ramón Esteve

The Quartz collection of modern chairs and tables, designed by Ramón Esteve for Vondom, has a distinctive appearance characterized by **vertical lines** and triangular profiles. One of its outstanding features is the line of one of its vertices, which creates an impression of lightness, making the furniture seem almost weightless, while still ensuring robust functionality.

Crafted with high quality materials, this modern collection of chairs and tables is perfect for enhancing both indoor and outdoor spaces. With its elegant design and durability, the Quartz collection blends seamlessly into any environment, striking the perfect balance between form and function.

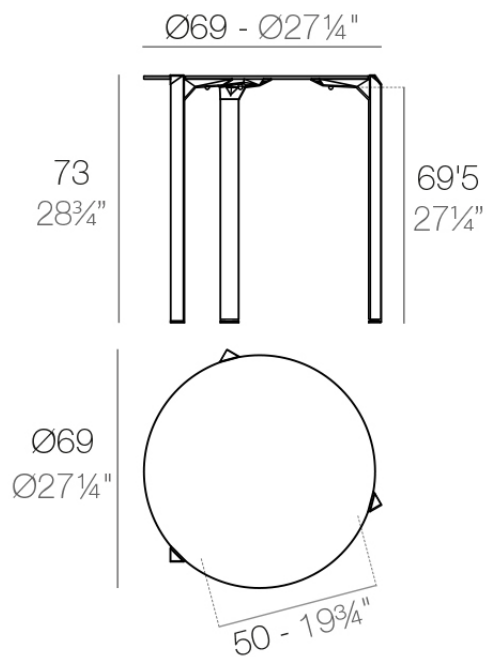


Info

Description

Made from polypropylene and reinforced with fiberglass manufactured by gas injection. Available in various colors. Suitable for indoor and outdoor use.

Weight: 6.53 Kg



QUARTZ Mesa $\text{Ø}69$
QUARTZ Table $\text{Ø}27\frac{1}{4}"$

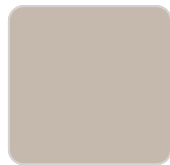
Finishes

finishes

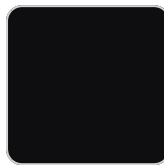
BASIC PP
Ref. 54199



white



ecru



black

Available in various colors

tabletops

Solid Core
Ref. VVAR02349



ecru stone



tortora stone



black stone



gray stone



white stone



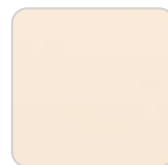
smoked



ecru



tortora



cream



garnet



VONDOM

brown

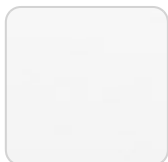
green

blue

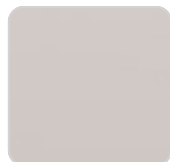
anthracite

HPL

Ref. VVAR02349



white(black edge)



ecru(black edge)



black(black edge)

HPL black edge

