

Quartz dining table ø59

by Ramón Esteve

The Quartz modern chairs and tables collection, designed by Ramón Esteve for Vondom, possesses an distinctive appearance featuring **perpendicular lines** and triangular profiles. Due to the line of one of its vertices this collection appears extremely light.

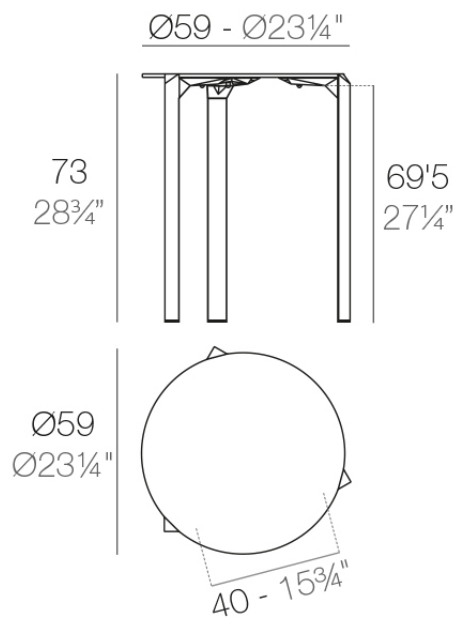


Info

Description

Made from polypropylene and reinforced with fiberglass manufactured by gas injection. Available in various colors. Suitable for indoor and outdoor use.

Weight: 5.1 Kg



QUARTZ Mesa Ø59
QUARTZ Table Ø23¹/₄"

Finishes

finishes

BASIC PP
Ref. 54198



white



black

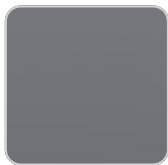


ecru

Available in various colors

tabletops

Solid Core
Ref. VVAR02348



traffic gray



crema



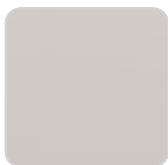
yule brown



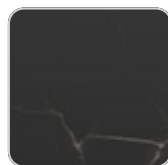
castoro fiber



pulpis gray



piombo gray



kandia black



cacao



yule gray



modo green



VONDOM

gioia bianco

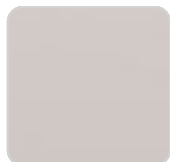
purjai red

british gray

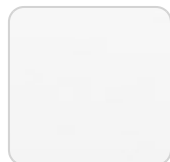
notte blue

HPL

Ref. VVAR02348



ecru(black edge)



white(black edge)



black(black edge)

HPL black edge

Ambients

