

Quartz folding chair

by Ramón Esteve

The Quartz modern chairs and tables collection, designed by Ramón Esteve for Vondom, possesses an distinctive appearance featuring **perpendicular lines** and triangular profiles. Due to the line of one of its vertices this collection appears extremely light.

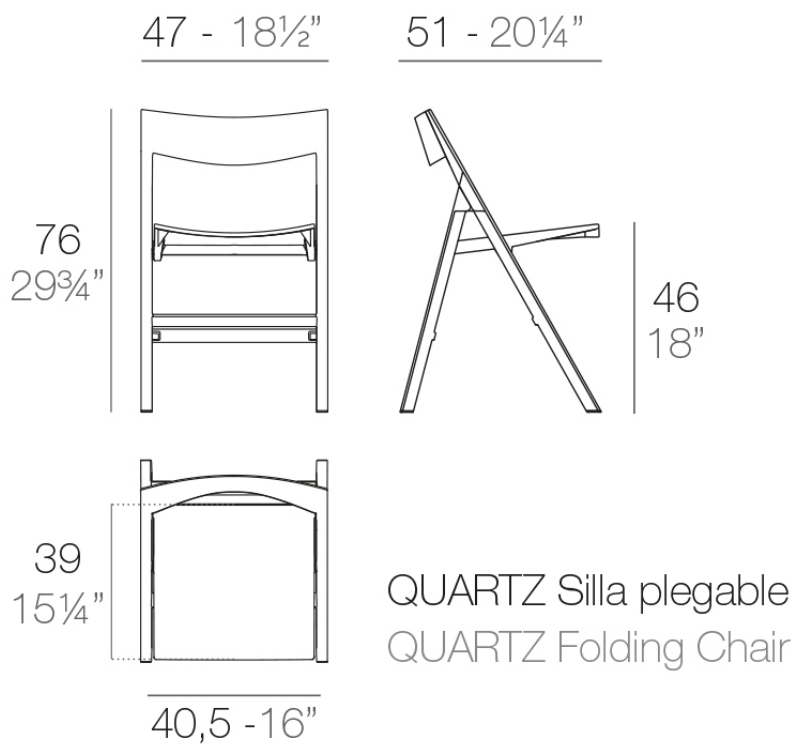


Info

Description

Injected polypropylene with fiber glass. Stackable. Item suitable for indoor and outdoor use.

Weight: 4.81 Kg



Finishes

finishes

BASIC PP
Ref. 54197



white



black



ecru

Available in various colors

Ambients

