

Frame stool

by Ramón Esteve

Frame, outdoor collection by Ramon Esteve, using elementary geometry as a framework, serene and timeless shapes were generated through a process of exploration. The endless possibilities offered by advanced technology and materials served as the inspiration to push boundaries and discover limitless possibilities.

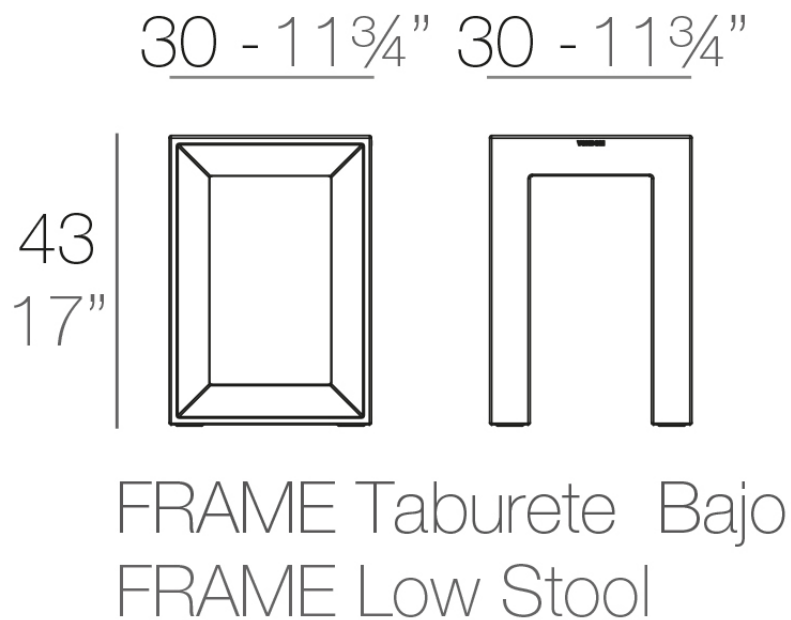


Info

Description

Made of polyethylene resin by rotational moulding. 100% Recyclable. Item suitable for indoor and outdoor use. Available in different finishes.

Weight: 4.52 Kg



Accessories

- **Fabric**

Fabric

Finishes

finishes

BASIC

Ref. 54096



white 2001



ecru 2003



tortora 2004



cream 2017



camel 2020



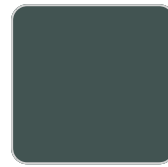
clay 2022



garnet 2015



brown 2008



green 2016



blue 2018



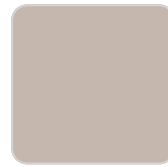
gray 2005



anthracite 2006



black 2002



ecru granite



cream granite



ice 2101

Matt Polyethylene

LACQUERED

Ref. 54096F

VONDOM



white 3101



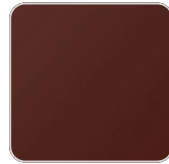
ecru 3103



tortora 3104



cream 3117



garnet 3113



brown 3125



green 3116



blue 3118



gray 3105



anthracite 3106



black 3102

Lacquered Polyethylene

Ambients

