

## Rest chair

by A-cero

This outdoor furniture collection takes inspiration from the Japanese art of Origami, which involves folding paper to create a variety of forms, all while adhering to the philosophy of “Less is more”.

The Alma planter, on the other hand, is inspired by the architecture of the towers of Dubai.

Designed by A-Cero.



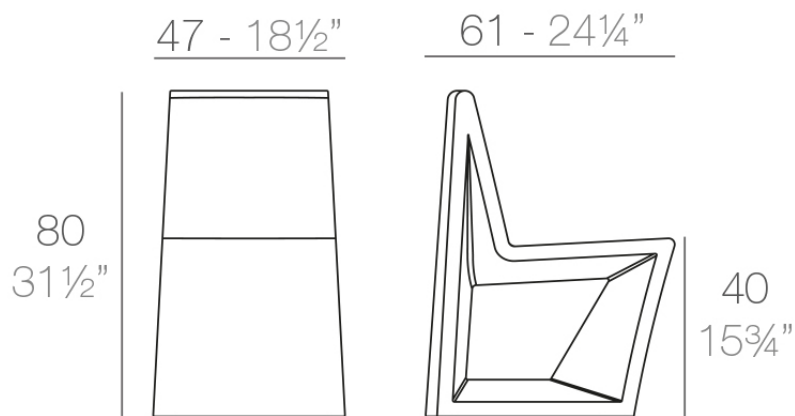
## Info

---

### Description

Made of polyethylene resin by rotational moulding. 100% Recyclable. Item suitable for indoor and outdoor use. Available in different finishes.

Weight: 10 Kg



REST Silla  
REST Chair

## Accessories

---

- **Fabric**

Fabric

## Finishes

---

### finishes

---

#### BASIC

Ref. 53012



white 2001



ecru 2003



tortora 2004



cream 2017



camel 2020



clay 2022



garnet 2015



brown 2008



green 2016



blue 2018



gray 2005



anthracite 2006



black 2002



ecru granite



cream granite



ice 2101

#### Matt Polyethylene

#### LACQUERED

Ref. 53012F

# VONDOM



white 3101



ecru 3103



tortora 3104



cream 3117



garnet 3113



brown 3125



green 3116



blue 3118



gray 3105



anthracite 3106



black 3102

Lacquered Polyethylene

## Ambients

---

