

Agatha table

by Agatha Ruiz de la Prada

Vondom introduces the Agatha Collection, created by Agatha Ruiz de la Prada, as their first Kids furniture collection, infused with a playful, youthful, and spontaneous feel. The designer's signature symbols are immediately recognizable in the kids furniture, characterized by their simple, charming, and elegant forms.

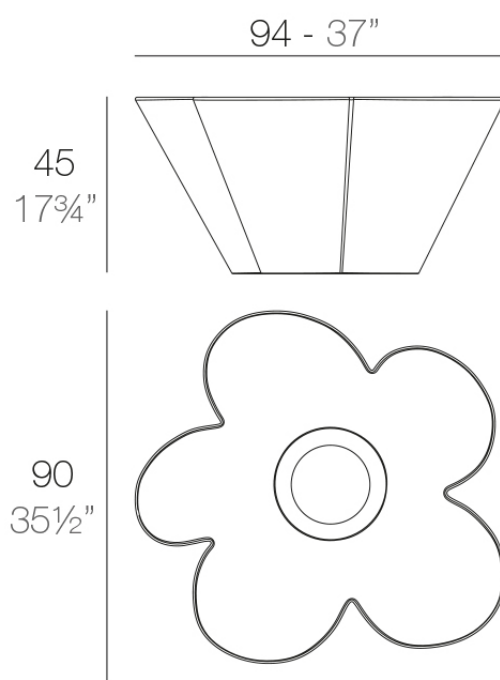


Info

Description

Made of polyethylene resin by rotational moulding. 100% Recyclable. Item suitable for indoor and outdoor use. Available in different finishes.

Weight: 14 Kg



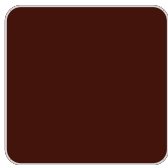
AGATHA Mesa Baja (incluye portalápices)
AGATHA Low Table (pencil case included)

Finishes

finishes

BASIC

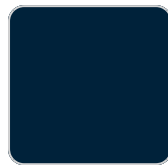
Ref. 52002



purjai red



orange



notte blue



crema



white



black



bronze



steel



anthracite



red



khaki



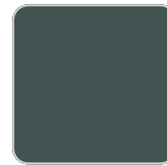
taupe



ecru



beige



green



ice

Matt Polyethylene

LACQUERED

Ref. 52002F

VONDOM



purjai red



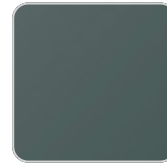
orange



notte blue



crema



modo green



white



black



bronze



steel



anthracite



champany



red



khaki



taupe



ecru



beige

Lacquered Polyethylene

TWO-TONE LACQUERED

Ref. 52002FP



white



white/red



blanco-pink



pistachio

Two-tone lacquered Polyethylene

Ambients

