

## Vases bar stool

by JM Ferrero

VASES Collection, is made up of flowerpots, furniture and lighting designed by the Valencian designer JM Ferrero. The shapes of the pieces draw inspiration from diamond cutting, resulting in clear-cut shapes with great style that create a visually striking impact.



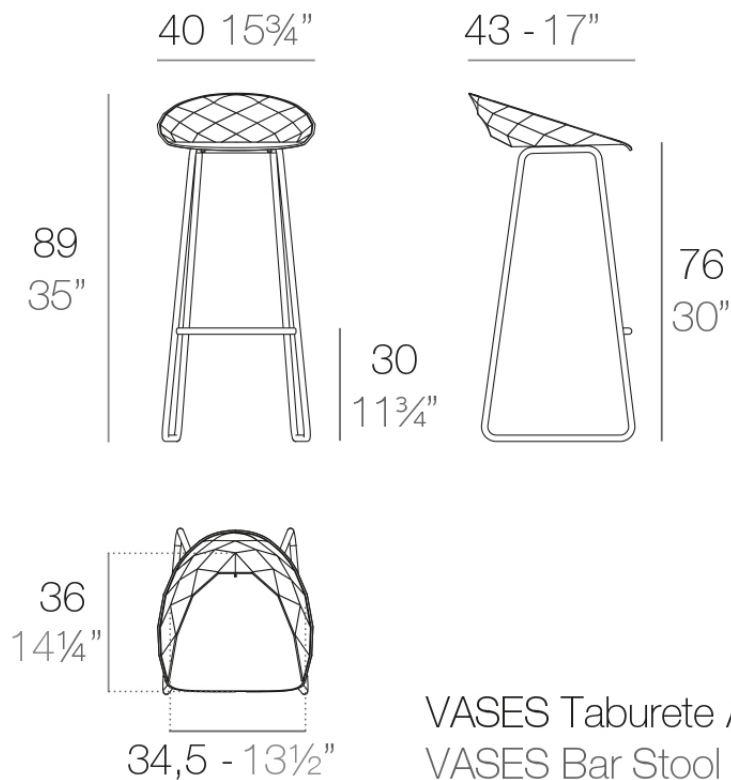
## Info

---

### Description

Injected polypropylene with fiber glass. The legs are made in powder coated stainless steel in a colour to match the seat.

Weight: 3.36 Kg



## Finishes

---

### finishes

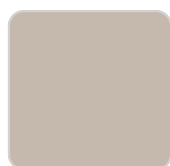
---

BASIC PP

Ref. 47071



white



ecru



black

Available in various colors

### estructura

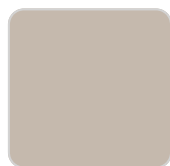
---

ALUMINIUM

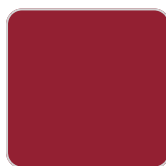
Ref. VVAR00983



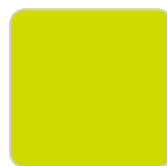
white 201



ecru 2003



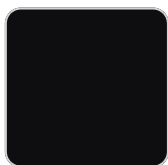
red



pistachio



brown 2008



black 2002

## Ambients

---

