

Mora lamp

by Javier Mariscal

The Noma Collection, designed by **Javier Mariscal** for the Spanish brand **Vondom**, is a group of outdoor items. The idea behind NOMA was to create a new type of furniture by blending the functions of a planter and an outdoor table. The result is a **collection that is distinctive and versatile in nature.**

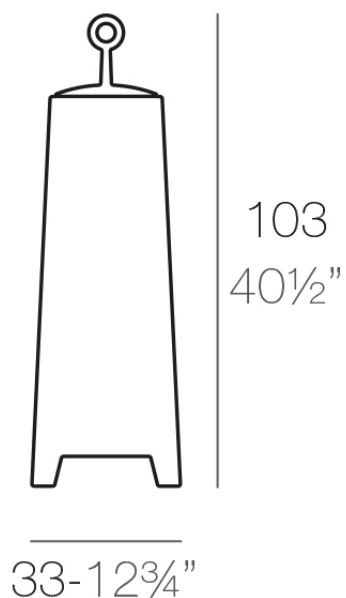


Info

Description

Made of polyethylene resin by rotational moulding. 100% Recyclable. Item suitable for indoor and outdoor use. Available in different finishes.

Weight: 5.5 Kg



MORA Lámpara 103
MORA Lamp 103

Finishes

lighting

WHITE LED
Ref. 46033W



ice

White internally lit unit with LED technology. Available only in matte ice white finish.

RGBW LED
Ref. 46033L



ice

Unit with internal lighting with RGBW LED technology and remote control unit for switching colors. Available only in matte ice white finish. Remote control included.

RGBW LED DMX
Ref. 46033D



ice

Unit with internal lighting with RGBW LED technology and remote control unit for switching colors. Also controlled by DMX-1024 (wireless), enabling communication between one or more products simultaneously via the DMX transmitter (not included). There are two options to choose from: Professional XLR DMX and Home WIFI DMX. (Remote control included).
Optional battery

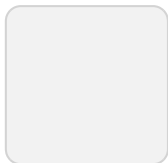
RGBW LED BATTERY Ref. 46033Y



ice

Unit with internal lighting with battery-powered RGBW LED technology. Includes charger and remote control for switching colors and charger. Available only in matte ice white finish.

RGBW LED DMX BATTERY Ref. 46033DY



ice

Unit with internal lighting with RGBW LED technology and remote control unit for switching colors. Also controlled by DMX-1024 (wireless), enabling communication between one or more products simultaneously via the DMX

VONDOM

transmitter (not included). There are two options to choose from: Professional XLR DMX and Home WIFI DMX. (Remote control included).

Ambients

