

## Jut armchair

by Studio Vondom

The Jut Collection, skillfully designed by Studio Vondom, offers a captivating selection of outdoor garden furniture that beautifully blends style and practicality. This remarkable collection includes a luxurious lounger, a sleek sofa, a cozy armchair and a refined chair. It also offers two tables of varying sizes, an extendable table, versatile stools and a high table, all perfect for enhancing any outdoor setting.

Each piece is meticulously crafted in Europe with an emphasis on quality and innovative design. With the Jut Collection, you can transform your patio or garden into a stylish retreat, showcasing contemporary outdoor furniture that not only enhances your space, but also provides exceptional comfort and sophistication. Whether you are entertaining or enjoying quiet moments, this collection is the perfect choice for any outdoor environment.



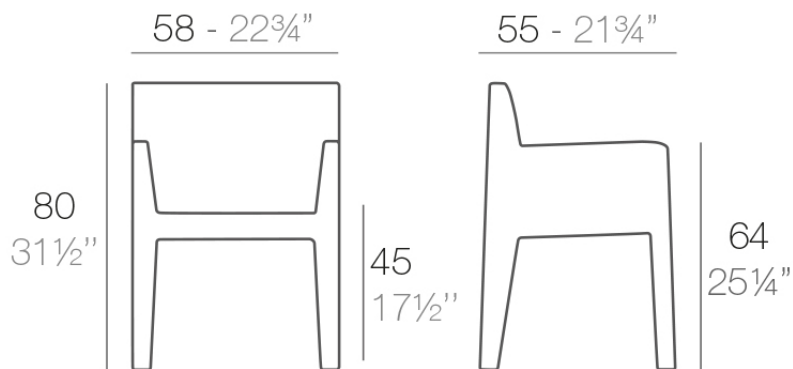
## Info

---

### Description

Made of polyethylene resin by rotational moulding. 100% Recyclable. Item suitable for indoor and outdoor use. Available in different finishes.

Weight: 9 Kg



JUT Silla con brazos  
JUT Armchair

## Accessories

---

- **Fabric**

Fabric

## Finishes

---

### finishes

---

#### BASIC

Ref. 44408



white 2001



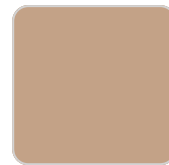
ecru 2003



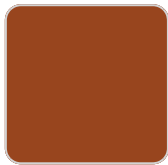
tortora 2004



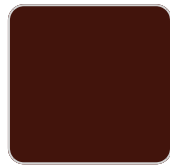
cream 2017



camel 2020



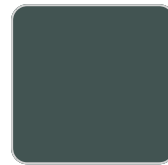
clay 2022



garnet 2015



brown 2008



green 2016



blue 2018



gray 2005



anthracite 2006



black 2002



ecru granite



cream granite



ice 2101

#### Matt Polyethylene

#### LACQUERED

Ref. 44408F

# VONDOM



white 3101



ecru 3103



tortora 3104



cream 3117



garnet 3113



brown 3125



green 3116



blue 3118



gray 3105



anthracite 3106



black 3102

Lacquered Polyethylene

## Ambients

---

