

## Jut lounge chair

by Studio Vondom

The Jut Collection, designed by Studio Vondom, offers a variety of outdoor garden furniture pieces as well as modern and avant-garde interiors, including a lounger, sofa, armchair, chair, two tables in different sizes, an extendable table, stools, and a high table.



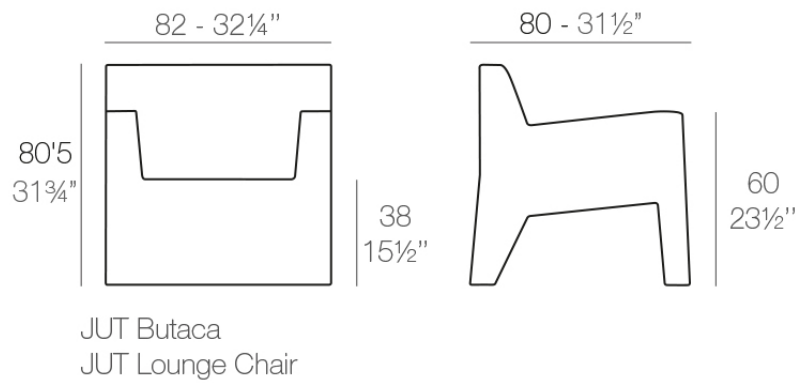
## Info

---

### Description

Made of polyethylene resin by rotational moulding. 100% Recyclable. Item suitable for indoor and outdoor use. Available in different finishes.

Weight: 20 Kg



## Accessories

---

- **Fabric**

Fabric

## Finishes

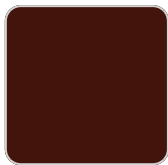
---

### finishes

---

#### BASIC

Ref. 44401



purjai red



orange



ice



notte blue



crema



green



white



black



bronze



steel



anthracite



red



khaki



taupe



ecru



beige

#### Matt Polyethylene

#### LACQUERED

Ref. 44401F

# VONDOM



purjai red



orange



notte blue



crema



white



black



bronze



steel



anthracite



red



khaki



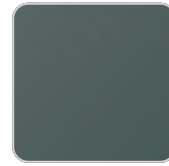
taupe



ecru



beige



modo green



champany

Lacquered Polyethylene

## Ambients

---

