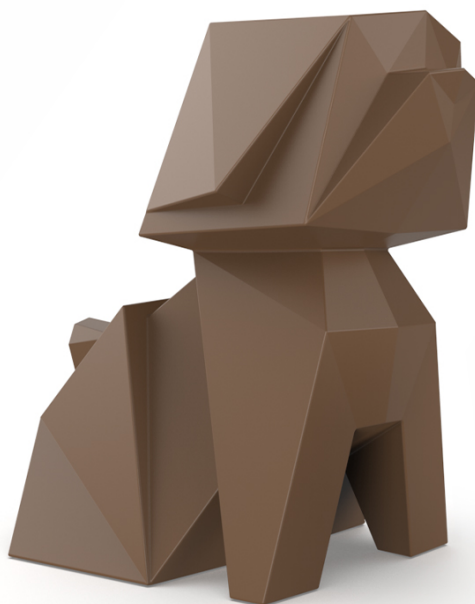


## Origami inu

by Studio Vondom

A collection of design pieces by Studio Vondom where the millenary tradition of the Japanese art of paperfolding merges with the avant-garde of contemporary design.

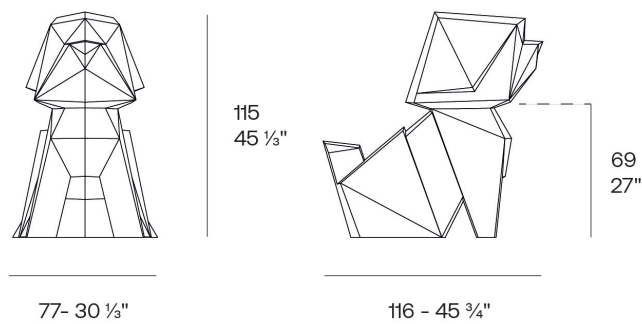


## Info

---

### Description

Weight: 20.28 Kg



Origami. Inu  
Origami. Inu  
44225

## Finishes

---

### finishes

---

#### BASIC

Ref. 44225



white 2001



ecru 2003



tortora 2004



cream 2017



camel 2020



clay 2022



garnet 2015



brown 2008



green 2016



blue 2018



gray 2005



anthracite 2006



black 2002



ecru granite



cream granite



ice 2101

#### Matt Polyethylene

#### LACQUERED

Ref. 44225F

# VONDOM



white 3101



ecru 3103



tortora 3104



cream 3117



garnet 3113



brown 3125



green 3116



blue 3118



gray 3105



anthracite 3106



black 3102

Lacquered Polyethylene

## lighting

---

WHITE LED  
Ref. 44225W



ice 2101

White internally lit unit with LED technology. Available only in matte ice white finish.

RGBW LED  
Ref. 44225L



ice 2101

Unit with internal lighting with RGBW LED technology and remote control unit for switching colors. Available only in matte ice white finish. Remote control included.

## RGBW LED DMX

Ref. 44225D



ice 2101

Unit with internal lighting with RGBW LED technology and remote control unit for switching colors. Also controlled by DMX-1024 (wireless), enabling communication between one or more products simultaneously via the DMX transmitter (not included). There are two options to choose from: Professional XLR DMX and Home WIFI DMX. (Remote control included).

Optional battery

## RGBW LED BATTERY

Ref. 44225DY



ice 2101

Unit with internal lighting with battery-powered RGBW LED technology. Includes charger and remote control for switching colors and charger. Available only in matte ice white finish.

## Ambients

---

