

Origami hasu 43x43x60

by Studio Vondom

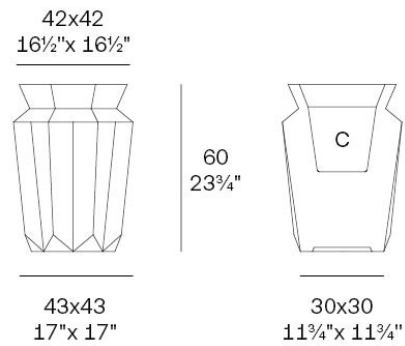
A collection of design pieces by Studio Vondom where the millenary tradition of the Japanese art of paperfolding merges with the avant-garde of contemporary design.



Info

Description

Weight: 7 Kg



Origami. Hasu Planter 60
Origami. Hasu Macetero 60
C = 31x31x31,5 - 12"x12"x12 3/8"
13 L - 3 2/3 Gal
44218

Finishes

finishes

BASIC

Ref. 44218A



white 2001



ecru 2003



tortora 2004



cream 2017



camel 2020



clay 2022



garnet 2015



brown 2008



green 2016



blue 2018



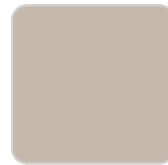
gray 2005



anthracite 2006



black 2002



ecru granite



cream granite



ice 2101

Matt Polyethylene

SELF-WATERING

Ref. 44218R

VONDOM



white 2001



ecru 2003



tortora 2004



cream 2017



camel 2020



clay 2022



garnet 2015



brown 2008



green 2016



blue 2018



gray 2005



anthracite 2006



black 2002



ecru granite



cream granite



ice 2101

Self-watering system included in all planters except those with basic finish

LACQUERED

Ref. 44218F

Lacquered Polyethylene

lighting

WHITE LED

Ref. 44218W

White internally lit unit with LED technology. Available only in matte ice white finish.

RGBW LED

VONDOM

Ref. 44218L

Unit with internal lighting with RGBW LED technology and remote control unit for switching colors. Available only in matte ice white finish. Remote control included.

RGBW LED DMX

Ref. 44218D

Unit with internal lighting with RGBW LED technology and remote control unit for switching colors. Also controlled by DMX-1024 (wireless), enabling communication between one or more products simultaneously via the DMX transmitter (not included). There are two options to choose from: Professional XLR DMX and Home WIFI DMX. (Remote control included).

Optional battery

RGBW LED BATTERY

Ref. 44218DY

Unit with internal lighting with battery-powered RGBW LED technology. Includes charger and remote control for switching colors and charger. Available only in matte ice white finish.

