

## High centre ø14x9



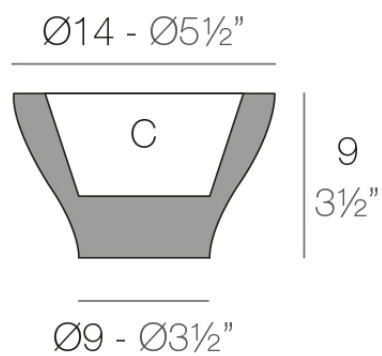
## Info

---

### Description

Pot made of polyethylene resin by rotational moulding. 100% Recyclable. Item suitable for indoor and outdoor use. Available in different finishes.

Weight: 0.18 Kg



CENTRO ALTO Nano  $\text{Ø}14$  cm  
CENTRO ALTO Nano  $\text{Ø}5\frac{1}{2}"$

C = 0,5 L  
C =  $\frac{1}{4}$  gal

## Finishes

---

### finishes

---

#### BASIC

Ref. 42014A



crema



purjai red



orange



notte blue



white



black



bronze



steel



anthracite



red



khaki



taupe



ecru



beige



ice



green

#### Matt Polyethylene

#### LACQUERED

Ref. 42014F

# VONDOM



crema



modo green



purjai red



orange



notte blue



white



black



bronze



steel



anthracite



champany



red



khaki



taupe



ecru



beige

Lacquered Polyethylene

## lighting

---

WHITE LED  
Ref. 42014W



ice

White internally lit unit with LED technology. Available only in matte ice white finish.

