

Love sun lounger

by Eugeni Quitllet

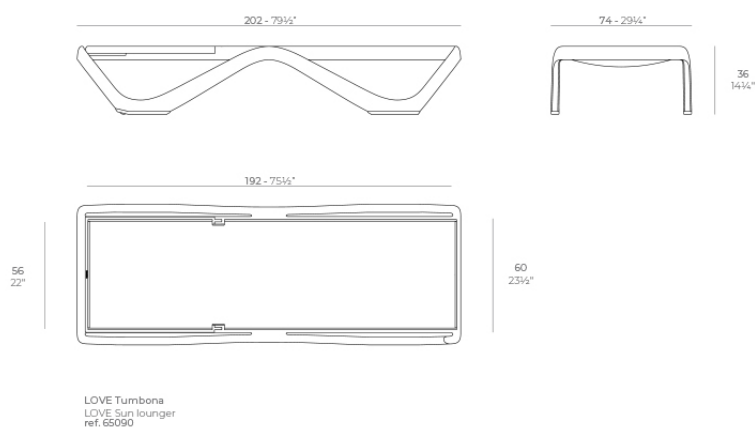
This chair collection, designed by Eugeni Quitllet for Vondom, is **inspired by the concept of love**, a feeling that involves body and soul, invisible to the human eye, but a wonderful embellisher of everything that surround us.



Info

Description

Weight: 13.5 Kg



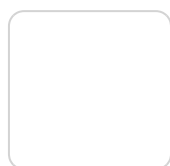
Finishes

finishes

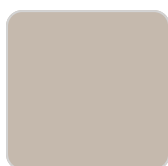
BASIC PP
Ref. 65090



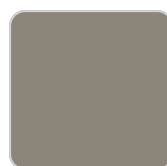
anthracite



white



ecru



tortora

Available in various colors

