

## Manta wooden swivel armchair

by Eugeni Quitllet

New outdoor and indoor chair collection. The versatile Manta chair adapts perfectly to any space, whether in a home, office, or public setting. This is all possible thanks to an interchangeable design made up of seats and bases to create countless combinations.

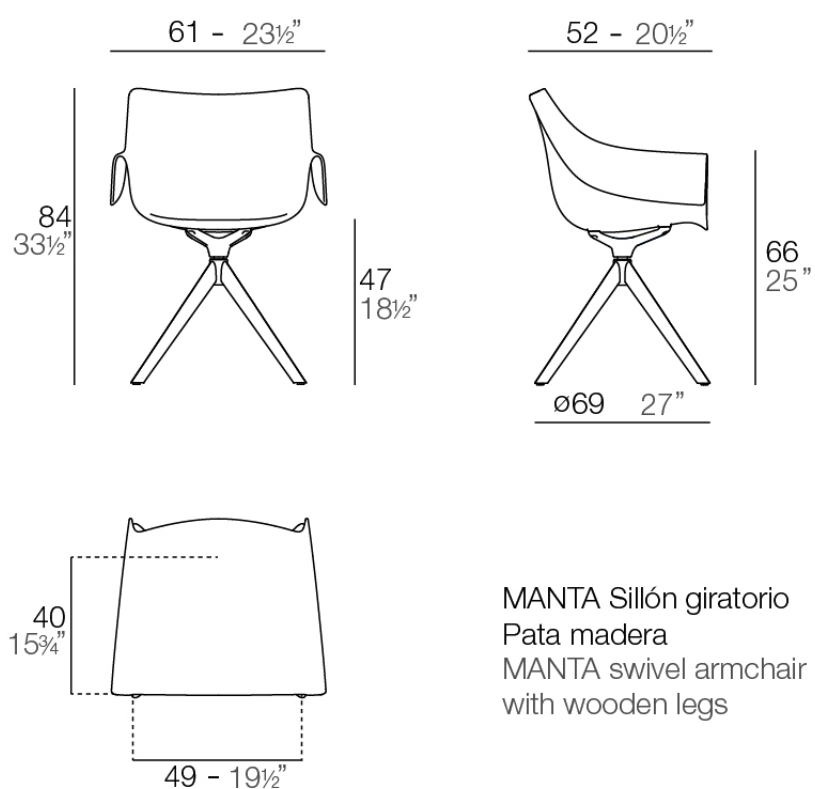


## Info

---

### Description

Weight: 9.3 Kg



MANTA Sillón giratorio  
Pata madera  
MANTA swivel armchair  
with wooden legs

## Finishes

---

### finishes

---

BASIC PP  
Ref. 65055



white



ecu



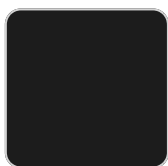
black

Available in various colors

### legs

---

LEGS  
Ref. 65055E



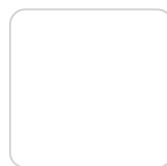
negro wood 2



negro wood 1



white wood 2



white wood 1

## Ambients

---

