

Brooklyn counter stool ø45x66

by Eugeni Quitllet

The Brooklyn furniture collection, designed by Eugeni Quitllet, is an invitation to rediscover the metropolitan essence in every line and curve. Inspired by the architecture of New York's iconic bridge, Brooklyn combines contemporary elegance with an urban edge that connects past, present and future in any environment. Brooklyn is today, yesterday and tomorrow.

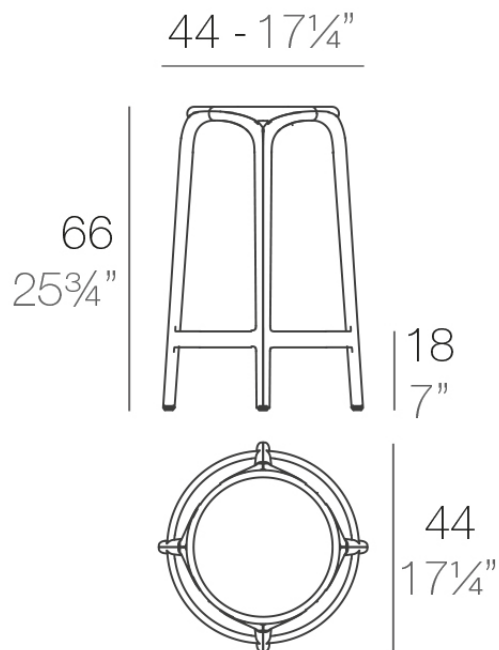


Info

Description

Made of injected polypropylene with fiber glass. Stackable. Available in several colors. Item suitable for indoor and outdoor use.

Weight: 4.06 Kg



BROOKLYN Taburete Alto 66
BROOKLYN Bar Stool 25 3/4"

Finishes

finishes

BASIC PP
Ref. 65028



white



ecru



tortora



black

Available in various colors

Ambients

