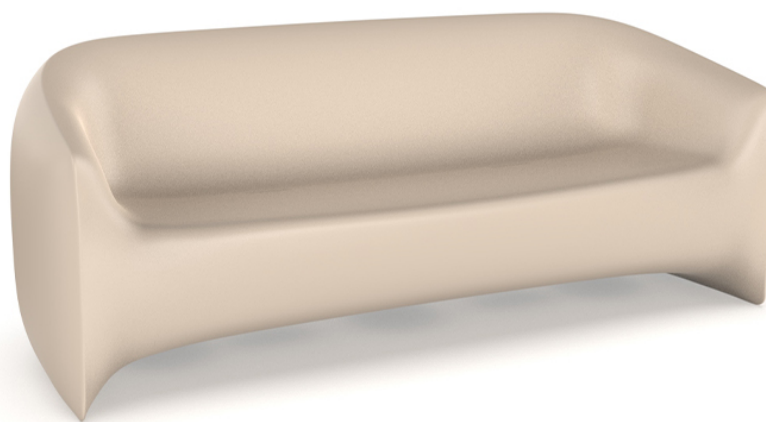


Blow sofa

by Stefano Giovannoni

Blow Collection, designed by **Stefano Giovannoni** for Vondom, comes from the willing to develop a **new family of in&out design products** in tune with the Pillow family but different in typology.

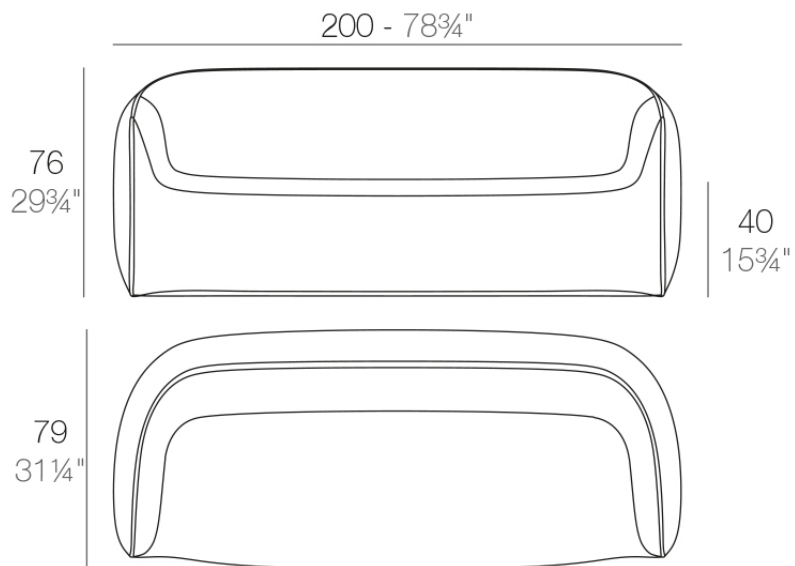


Info

Description

Made of polyethylene resin by rotational moulding. 100% Recyclable. Item suitable for indoor and outdoor use. Available in different finishes.

Weight: 45 Kg



BLOW Sofá
BLOW Sofa

Accessories

- **Fabric**

Fabric

Finishes

finishes

BASIC

Ref. 55016



crema



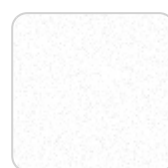
notte blue



purjai red



orange



white



black



bronze



steel



anthracite



red



khaki



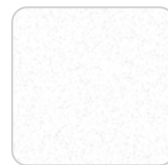
taupe



ecru



beige



ice



green

Matt Polyethylene

LACQUERED

Ref. 55016F

VONDOM



crema



modo green



notte blue



purjai red



orange



white



black



bronze



steel



anthracite



champany



red



khaki



taupe



ecru



beige

Lacquered Polyethylene

lighting

WHITE LED
Ref. 55016W



ice

White internally lit unit with LED technology. Available only in matte ice white finish.

RGBW LED Ref. 55016L



ice

Unit with internal lighting with RGBW LED technology and remote control unit for switching colors. Available only in matte ice white finish. Remote control included.

RGBW LED DMX Ref. 55016D

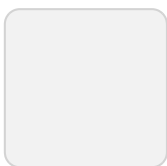


ice

Unit with internal lighting with RGBW LED technology and remote control unit for switching colors. Also controlled by DMX-1024 (wireless), enabling communication between one or more products simultaneously via the DMX transmitter (not included). There are two options to choose from: Professional XLR DMX and Home WIFI DMX. (Remote control included).

Optional battery

RGBW LED BATTERY Ref. 55016Y



ice

Unit with internal lighting with battery-powered RGBW LED technology. Includes charger and remote control for switching colors and charger. Available only in

VONDOM

matte ice white finish.

RGBW LED DMX BATTERY

Ref. 55016DY



ice

Unit with internal lighting with RGBW LED technology and remote control unit for switching colors. Also controlled by DMX-1024 (wireless), enabling communication between one or more products simultaneously via the DMX transmitter (not included). There are two options to choose from: Professional XLR DMX and Home WIFI DMX. (Remote control included).

Ambients

