

## Hamptons low tables

by Ramón Esteve

Hamptons, the **new collection of designer outdoor furniture** consists of a set of pieces where a careful selection of fabrics and patterns evoke that “lifestyle” where elegance is perceived in the finest details.



## Info

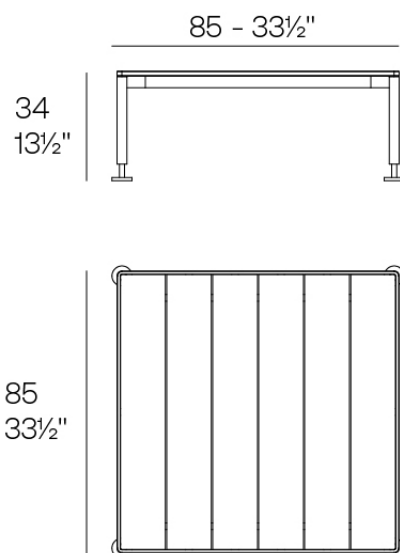
---

### Description

The low table in the collection stands out for its aluminium structure, which makes it lightweight and sturdy, ideal for outdoor use. The surface is made of HPL sheets, a durable and easy to maintain material.

The polished aluminium legs add a touch of elegance and shine. Available in a wide variety of colours for both the aluminium frame and the HPL surface.

Weight: 31.91 Kg



HAMPTONS Mesa Baja 85x85x34  
HAMPTONS Low Table 33 1/2"x33 1/2"x13 1/2"

## Finishes

---

### finishes

---

#### ALUMINIUM

Ref. 54811



white



smoked



ecru



tortora



cream



garnet



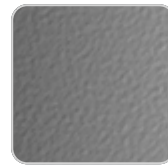
brown



green



blue



gray



anthracite



black

Lacquered aluminium profile.

### tabletops

---

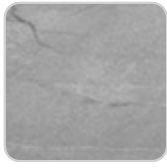
#### Solid Core

Ref. 54810CEN



# VONDOM

white stone



gray stone

smoked



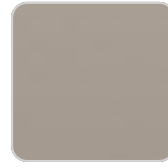
white (white edge)

ecru stone



ecru

tortora stone



tortora

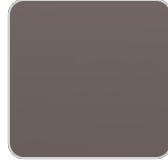
black stone



cream



garnet



brown



green



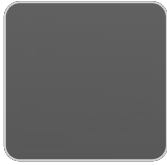
blue



anthracite

## HPL

Ref. 54810CEN



black(black edge)

## HPL black edge

## Solid Core wood

Ref. 54810CEN



oak1



oak2

## Ambients

---

