

Vineyard planter xl wheel

by Ramón Esteve

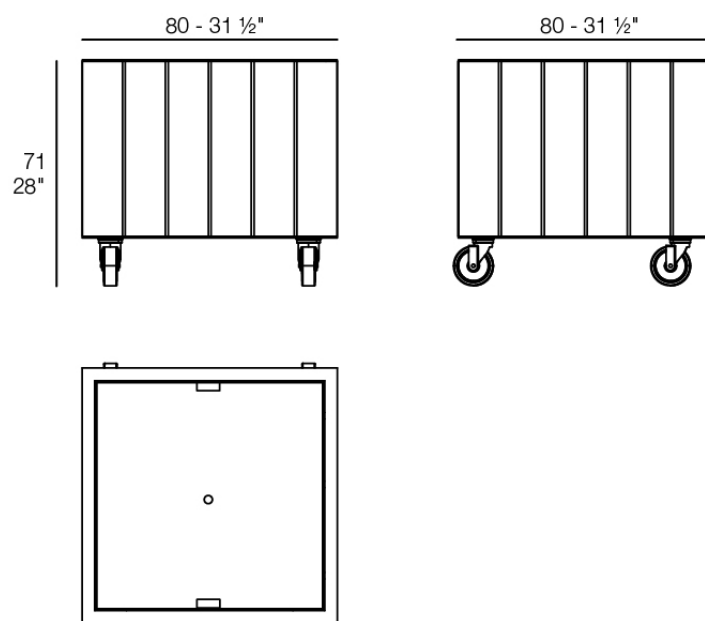
The Vineyard collection, designed by Ramón Esteve, captures the essence of Mediterranean style, combining elegance and comfort in each of its pieces. Inspired by vineyards and outdoor living, this collection is perfect for creating relaxed and welcoming environments.



Info

Description

Weight: 43.7 Kg



VINEYARD Maceta 800 x 800 C = 248 L
VINEYARD Planter 31 1/2" x 31 1/2" C = 65 gal

Finishes

finishes

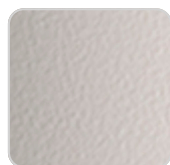
ALUMINIUM
Ref. 54509SU

panel/top

ALUMINIUM
Ref. 54509AA



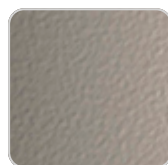
white



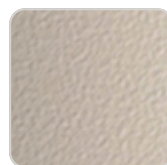
ecru



smoked



tortora



cream



garnet



brown



green



blue



anthracite



black

Teak
Ref. 54509AA

VONDOM



natural teak



weathered teak

