

Vineyard chair

by Ramón Esteve

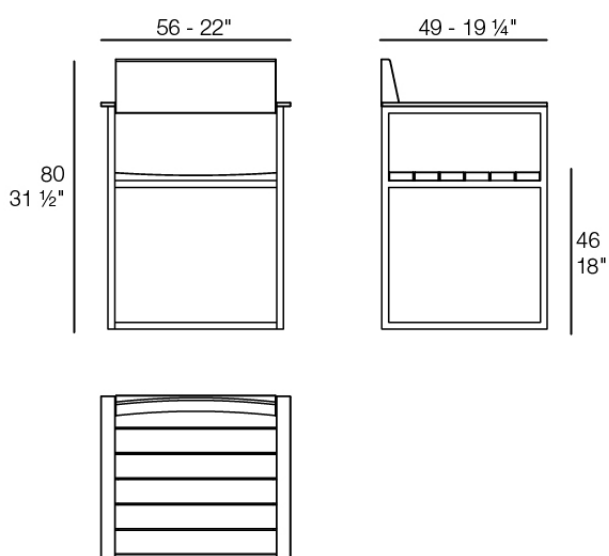
The Vineyard collection, designed by Ramón Esteve, captures the essence of Mediterranean style, combining elegance and comfort in each of its pieces. Inspired by vineyards and outdoor living, this collection is perfect for creating relaxed and welcoming environments.



Info

Description

Weight: 7.47 Kg



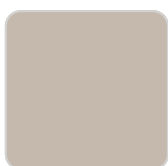
VINEYARD Silla
VINEYARD Chair

Finishes

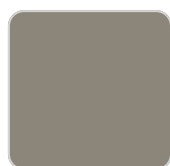
finishes

ALUMINIUM

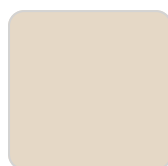
Ref. 54506E



ecru



tortora



cream

panel/top

Teak

Ref. 54506AA



natural teak



weathered teak

Ambients

