

Faz wood high table ø50x105

by Ramón Esteve

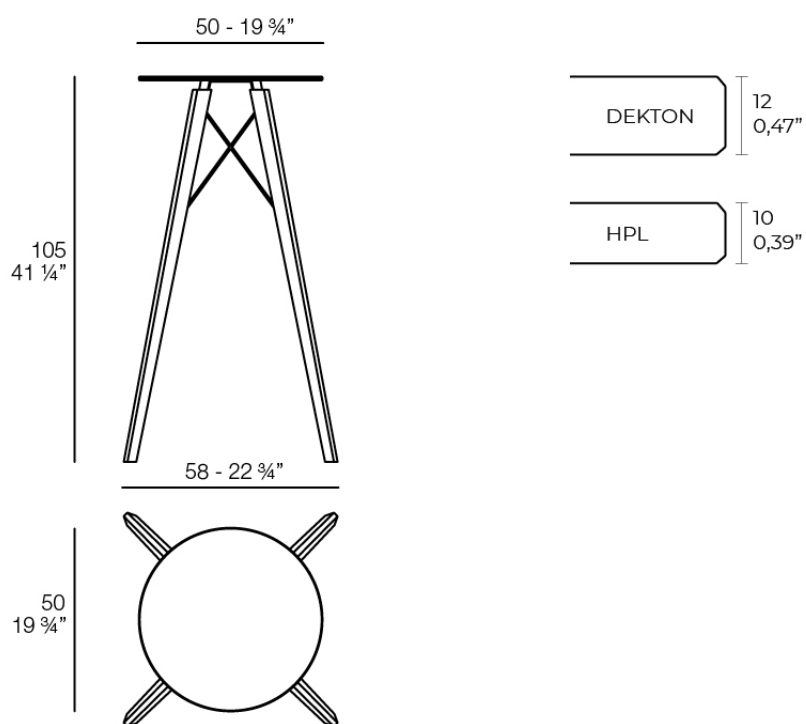
Vondom's Faz collection, designed by Ramón Esteve, is one of the firm's most iconic collections. It stands out for its modular design and sophistication, representing harmony, serenity and timelessness through mineral and emphatic shapes. Faz transforms environments with its unique combination of material and light, creating an enveloping and exclusive atmosphere.



Info

Description

Weight: 9.04 Kg



FAZ WOOD Mesa Alta Ø50
FAZ WOOD Dinning table Ø19 3/4"

Finishes

tabletops

HPL

Ref. 54316



white(black edge)



black(black edge)

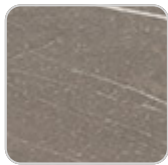


ecru(black edge)

HPL black edge

Solid Core

Ref. 54316B



pulpis gray



piombo gray



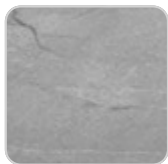
cacao



kandia black



modo green



yule gray



purjai red



gioia bianco



british gray



notte blue



traffic gray



white (white edge)



crema

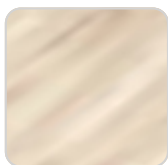


yule brown



castoro fiber

VONDOM



oak1



oak2

HPL solid core

Dekton

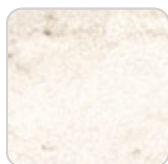
Ref. 54316M



kelya



entzo



danae

CERAMIC SURFACE

estructura

ALUMINIUM

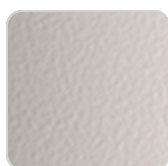
Ref. VVAR03098



white



black



ecru

Ambients

