

Faz wood counter stool

by Ramón Esteve

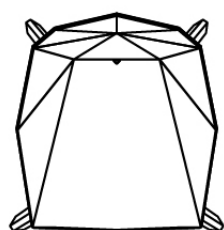
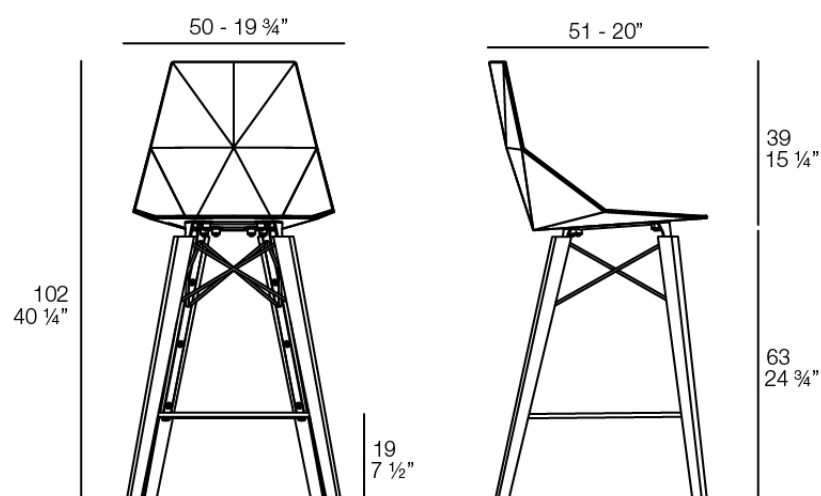
Vondom's Faz collection, designed by Ramón Esteve, is one of the firm's most iconic collections. It stands out for its modular design and sophistication, representing harmony, serenity and timelessness through mineral and emphatic shapes. Faz transforms environments with its unique combination of material and light, creating an enveloping and exclusive atmosphere.



Info

Description

Weight: 6.7 Kg

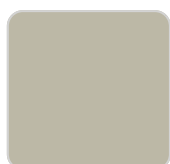


FAZ WOOD Taburete 102cm
FAZ WOOD Counter Stool 40 1/4"

Finishes

finishes

BASIC PP
Ref. 54303



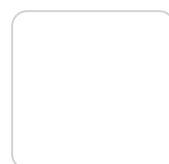
ecru wood 2



ecru wood 1



white wood 2



white wood 1



negro wood 2

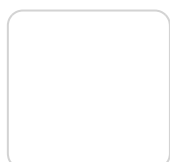


negro wood 1

Available in various colors

estructura

ALUMINIUM
Ref. VVAR02999



white 201



ecru 2003



black 2002

legs

Ash

Ref. VVAR03078



wood 1



wood 2

Ambients

