

Faz wood bar stool

by Ramón Esteve

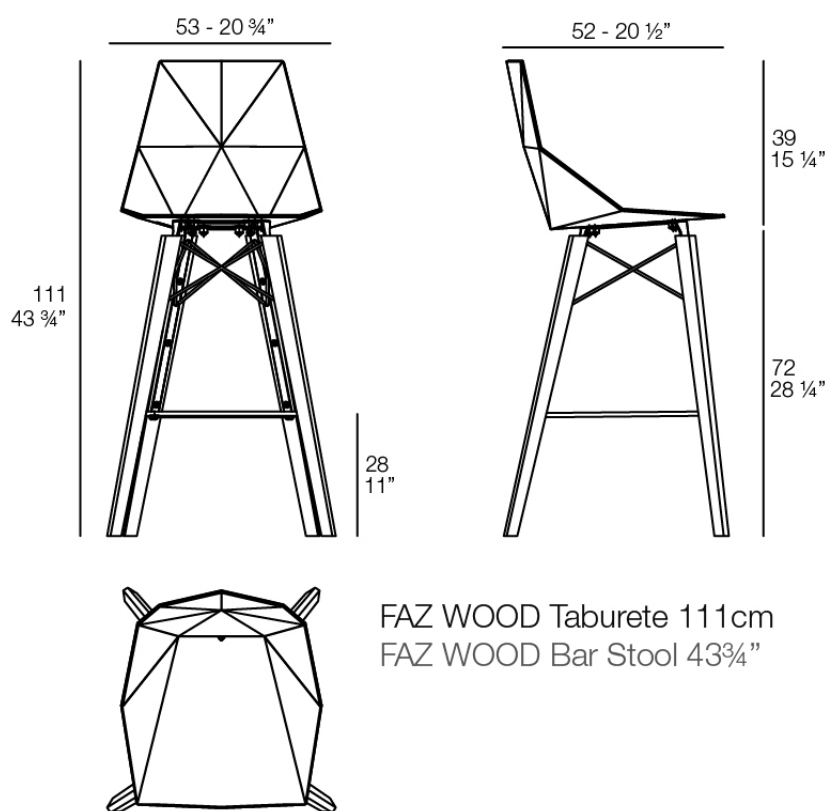
Vondom's Faz collection, designed by Ramón Esteve, is one of the firm's most iconic collections. It stands out for its modular design and sophistication, representing harmony, serenity and timelessness through mineral and emphatic shapes. Faz transforms environments with its unique combination of material and light, creating an enveloping and exclusive atmosphere.



Info

Description

Weight: 6.93 Kg

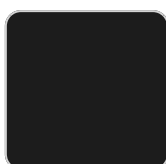


Finishes

finishes

BASIC PP

Ref. 54301



negro wood 2



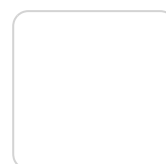
negro wood 1



ecru wood 2



ecru wood 1



white wood 2



white wood 1

Available in various colors

estructura

ALUMINIUM

Ref. VVAR02999



white 201



ecru 2003



black 2002

legs

Ash

Ref. VVAR03076



wood 1



wood 2

Ambients

