

Quartz dining table ø79

by Ramón Esteve

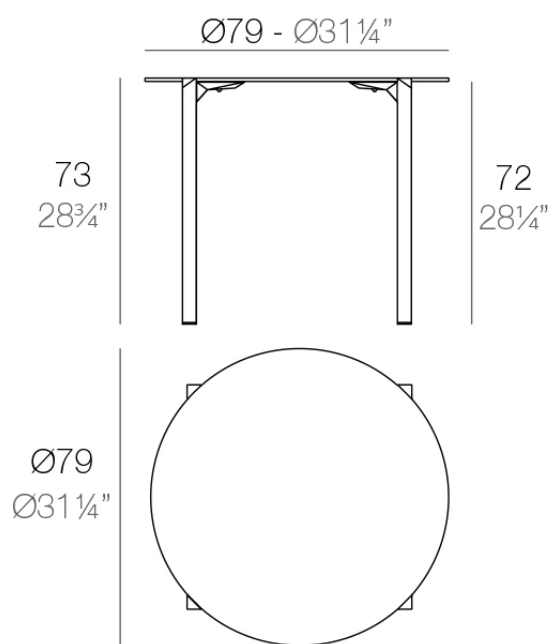
The Quartz chairs and table collection, designed by Ramón Esteve for Vondom, is characterized by its **orthogonal geometry and triangular shaped profiles**. Due to the line of one of its vertexes this piece appears extremely light.



Info

Description

Weight: 9.7 Kg



QUARTZ Mesa $\text{Ø}79$
QUARTZ Table $\text{Ø}31\frac{1}{4}"$

Finishes

finishes

BASIC PP
Ref. 54218



white



black



ecru

Available in various colors

tabletops

Solid Core
Ref. VVAR02458



gioia bianco



purjai red



british gray



notte blue



traffic gray



white (white edge)



crema



castoro fiber



yule brown



piombo gray



VONDOM

pulpis gray

cacao

kandia black

yule gray

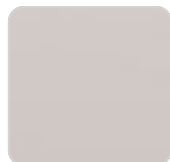
modo green

HPL

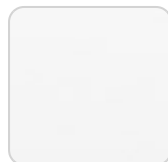
Ref. VVAR02458



black(black edge)



ecru(black edge)



white(black edge)

HPL black edge

Solid Core wood

Ref. VVAR02458



oak1



oak2

