

## Quartz dining table ø100

by Ramón Esteve

Created by Ramón Esteve for Vondom, it offers a perfect blend of elegance and functionality in outdoor furniture. With an orthogonal geometry and triangular profiles, this collection stands out for its visual lightness and timeless design.



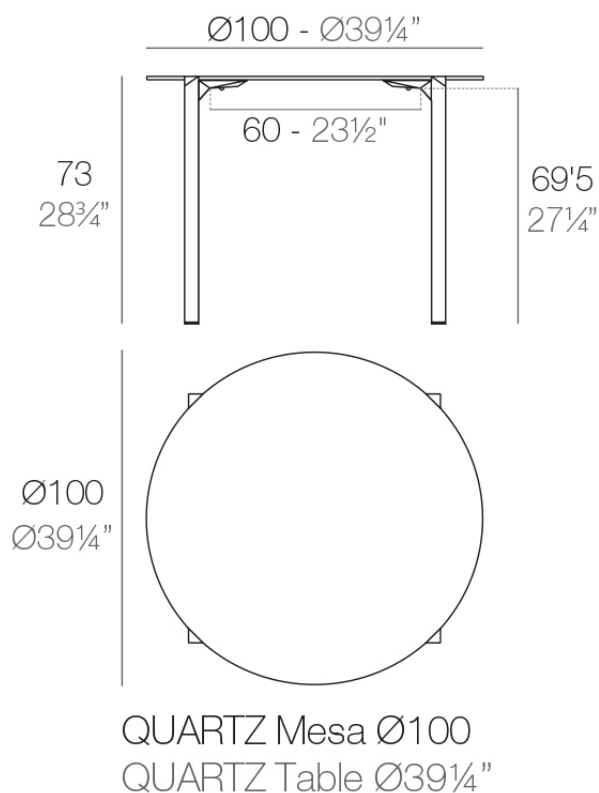
## Info

---

### Description

Made from polypropylene and reinforced with fiberglass manufactured by gas injection. Available in various colors. Suitable for indoor and outdoor use.

Weight: 13.06 Kg



## Finishes

---

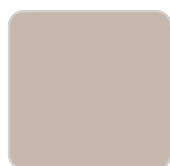
### finishes

---

BASIC PP  
Ref. 54202



white



ecru



black

Available in various colors

### tabletops

---

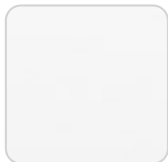
Solid Core  
Ref. VVAR02390



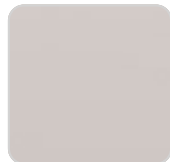
white (white edge)

HPL  
Ref. VVAR02390

# VONDOM



white(black edge)



ecru(black edge)



black(black edge)

HPL black edge

Solid Core wood  
Ref. VVAR02390



oak1



oak2

