

Quartz dining table ø79

by Ramón Esteve

Created by Ramón Esteve for Vondom, it offers a perfect blend of elegance and functionality in outdoor furniture. With an orthogonal geometry and triangular profiles, this collection stands out for its visual lightness and timeless design.

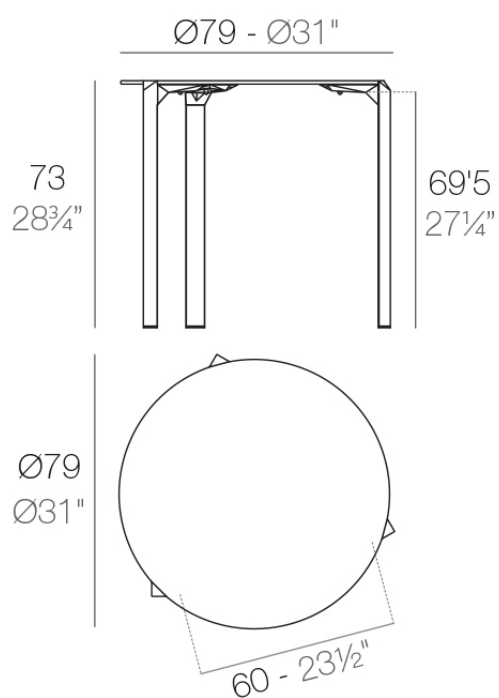


Info

Description

Made from polypropylene and reinforced with fiberglass manufactured by gas injection. Available in various colors. Suitable for indoor and outdoor use.

Weight: 8.31 Kg



QUARTZ Mesa $\text{Ø}79$
QUARTZ Table $\text{Ø}31''$

Finishes

finishes

BASIC PP
Ref. 54200



white



ecu



black

Available in various colors

tabletops

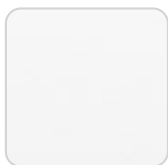
Solid Core
Ref. VVAR02350



white (white edge)

HPL
Ref. VVAR02350

VONDOM



white(black edge)



ecru(black edge)



black(black edge)

HPL black edge

