

Quartz dining table ø59

by Ramón Esteve

Created by Ramón Esteve for Vondom, it offers a perfect blend of elegance and functionality in outdoor furniture. With an orthogonal geometry and triangular profiles, this collection stands out for its visual lightness and timeless design.

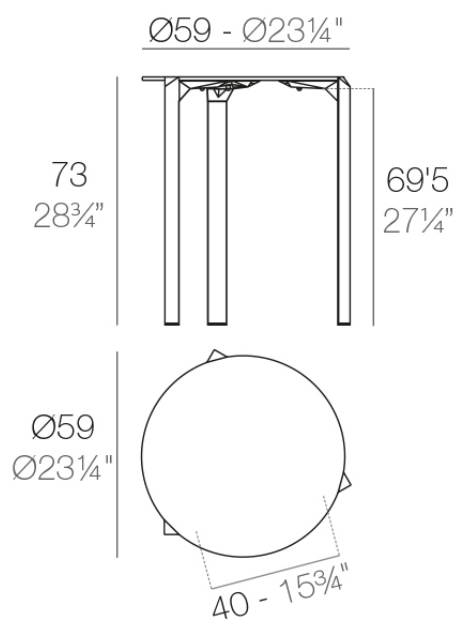


Info

Description

Made from polypropylene and reinforced with fiberglass manufactured by gas injection. Available in various colors. Suitable for indoor and outdoor use.

Weight: 5.1 Kg



QUARTZ Mesa Ø59
QUARTZ Table Ø23 1/4"

Finishes

finishes

BASIC PP
Ref. 54198



white



ecru



black

Available in various colors

tabletops

HPL
Ref. VVAR02348



white(black edge)



ecru(black edge)



black(black edge)

HPL black edge

Ambients

