

## Faz armchair

by Ramón Esteve

Vondom's Faz collection, designed by Ramón Esteve, is one of the firm's most iconic collections. It stands out for its modular design and sophistication, representing harmony, serenity and timelessness through mineral and emphatic shapes. Faz transforms environments with its unique combination of material and light, creating an enveloping and exclusive atmosphere.



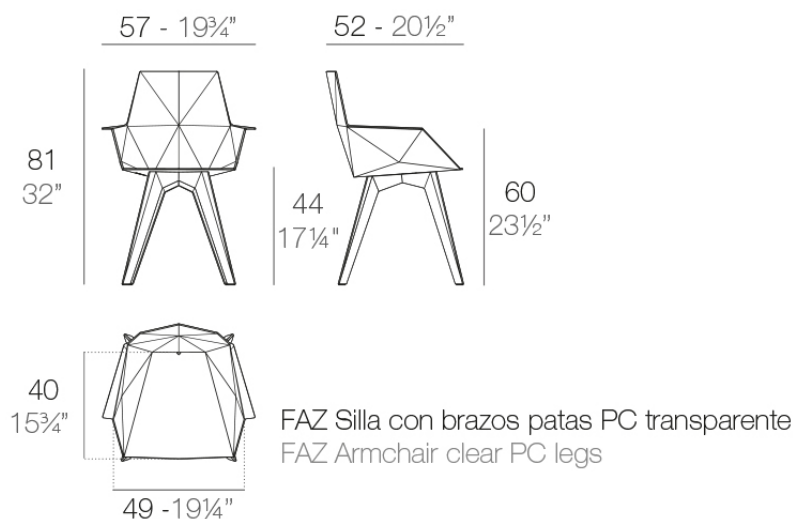
## Info

---

### Description

One piece moulded seat and back polypropylene chair, with clear polycarbonate legs. Item suitable for indoor and outdoor use.

Weight: 4.31 Kg



## Finishes

---

### finishes

---

BASIC PP  
Ref. 54063



white



ecru



black

Available in various colors

## Ambients

---

