

Marquis hanging planter ø50x26

by JM Ferrero

Marquis, designed by Estudi{H}ac for Vondom, is a planters collection **originating from the inspiration of diamond cutting**. Its polygonal design recalls facets created through cutting. It also **includes a design table lamp**.

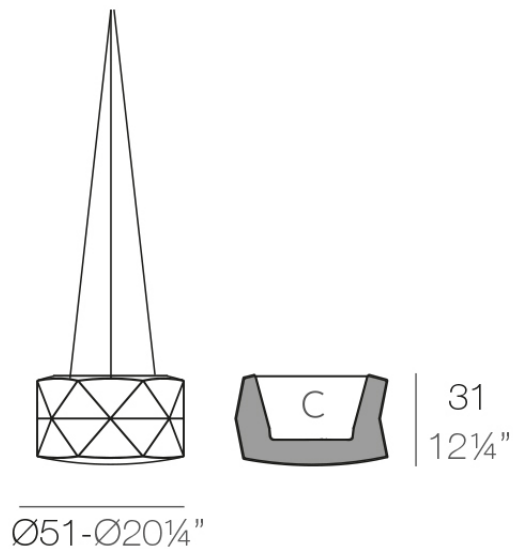


Info

Description

Made of polyethylene resin by rotational moulding. 100% Recyclable. Item suitable for indoor and outdoor use. Available in different finishes.

Weight: 4.5 Kg



MARQUIS Maceta Ø51x31

C = 3 L x 22 cm

MARQUIS Planter Ø20 $\frac{1}{4}$ "x12 $\frac{1}{4}$ "

C = $\frac{3}{4}$ gal 100

Finishes

finishes

BASIC

Ref. 47086A



purjai red



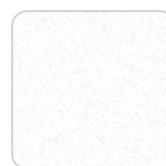
orange



notte blue



crema



white



black



bronze



steel



anthracite



red



khaki



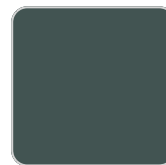
taupe



ecru



beige



green



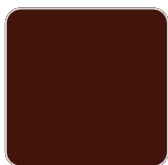
ice

Matt Polyethylene

SELF-WATERING

Ref. 47086R

VONDOM



purjai red



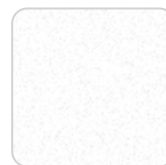
orange



notte blue



crema



white



black



bronze



steel



anthracite



red



khaki



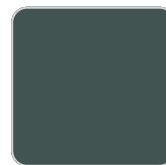
taupe



ecru



beige



green



ice

Self-watering system included in all planters except those with basic finish

LACQUERED

Ref. 47086F



purjai red



orange



notte blue



crema



modo green



white



black



bronze



steel



anthracite

VONDOM



champany



red



khaki



taupe



ecru



beige

Lacquered Polyethylene

Ambients

