

## Mora lamp

by Javier Mariscal

The Noma Collection, designed by **Javier Mariscal** for the Spanish brand **Vondom**, is a group of outdoor items. There was an aim to create a new typology of furniture by combining the functions of a flowerpot and an outdoor table, and thus Noma was born, a collection **characterized by its originality and versatile nature.**



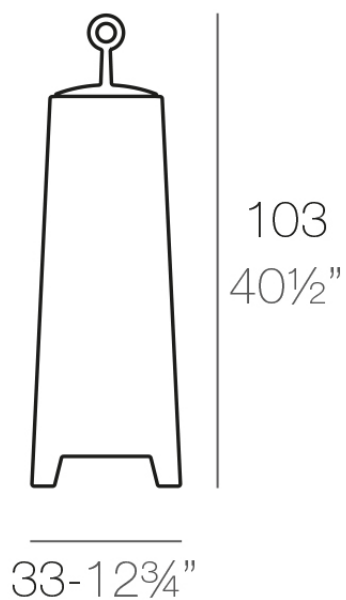
## Info

---

### Description

Made of polyethylene resin by rotational moulding. 100% Recyclable. Item suitable for indoor and outdoor use. Available in different finishes.

Weight: 5.5 Kg



MORA Lámpara 103  
MORA Lamp 103

## Finishes

---

### lighting

---

WHITE LED  
Ref. 46033W



ice 2101

White internally lit unit with LED technology. Available only in matte ice white finish.

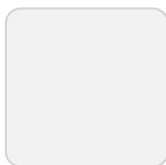
RGBW LED  
Ref. 46033L



ice 2101

Unit with internal lighting with RGBW LED technology and remote control unit for switching colors. Available only in matte ice white finish. Remote control included.

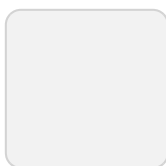
RGBW LED DMX  
Ref. 46033D



ice 2101

Unit with internal lighting with RGBW LED technology and remote control unit for switching colors. Also controlled by DMX-1024 (wireless), enabling communication between one or more products simultaneously via the DMX transmitter (not included). There are two options to choose from: Professional XLR DMX and Home WIFI DMX. (Remote control included).  
Optional battery

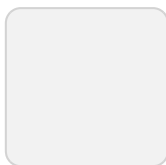
## RGBW LED BATTERY Ref. 46033Y



ice 2101

Unit with internal lighting with battery-powered RGBW LED technology. Includes charger and remote control for switching colors and charger. Available only in matte ice white finish.

## RGBW LED DMX BATTERY Ref. 46033DY



ice 2101

Unit with internal lighting with RGBW LED technology and remote control unit for switching colors. Also controlled by DMX-1024 (wireless), enabling communication between one or more products simultaneously via the DMX

# VONDOM

transmitter (not included). There are two options to choose from: Professional XLR DMX and Home WIFI DMX. (Remote control included).

## Ambients

---

