

Jut lounge chair

by Studio Vondom

Jut is a line of furniture for outdoors that captures the essence of style and comfort with a touch of freshness. Launched at our inception, Jut not only marked the beginning of our adventure, but remains an icon of minimalist design and functionality.

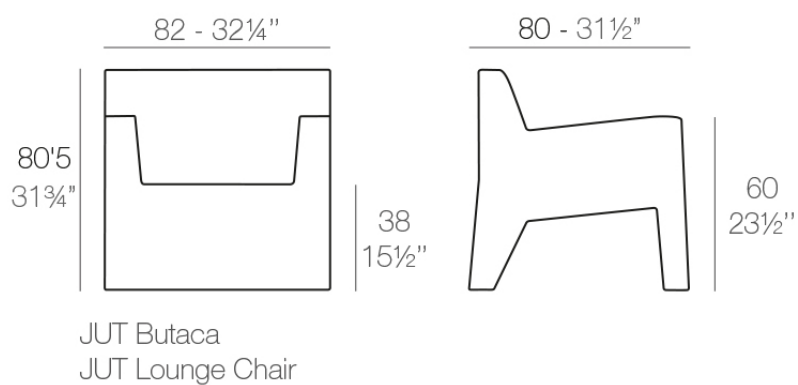


Info

Description

Made of polyethylene resin by rotational moulding. 100% Recyclable. Item suitable for indoor and outdoor use. Available in different finishes.

Weight: 20 Kg



Accessories

- **Fabric**

Fabric

Finishes

finishes

BASIC

Ref. 44401



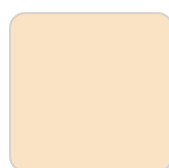
white 2001



ecru 2003



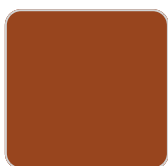
tortora 2004



cream 2017



camel 2020



clay 2022



garnet 2015



brown 2008



green 2016



blue 2018



gray 2005



anthracite 2006



black 2002



ecru granite



cream granite



ice 2101

Matt Polyethylene

LACQUERED

Ref. 44401F

VONDOM



white 3101



ecru 3103



tortora 3104



cream 3117



garnet 3113



brown 3125



green 3116



blue 3118



gray 3105



anthracite 3106



black 3102

Lacquered Polyethylene

Ambients

