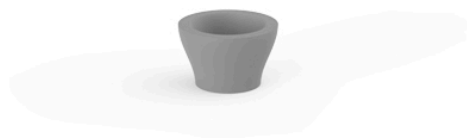


High centre ø14x9

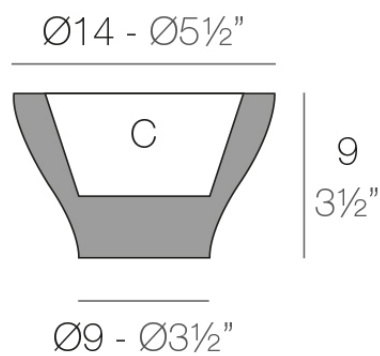


Info

Description

Pot made of polyethylene resin by rotational moulding. 100% Recyclable. Item suitable for indoor and outdoor use. Available in different finishes.

Weight: 0.18 Kg



CENTRO ALTO Nano $\text{Ø}14$ cm
CENTRO ALTO Nano $\text{Ø}5\frac{1}{2}"$

C = 0,5 L
C = $\frac{1}{4}$ gal

Finishes

finishes

BASIC

Ref. 42014A



white 2001



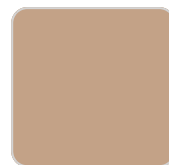
ecru 2003



tortora 2004



cream 2017



camel 2020



clay 2022



garnet 2015



brown 2008



green 2016



blue 2018



gray 2005



anthracite 2006



black 2002



ecru granite



cream granite



ice 2101

Matt Polyethylene

LACQUERED

Ref. 42014F

VONDOM



white 3101



ecru 3103



tortora 3104



cream 3117



garnet 3113



brown 3125



green 3116



blue 3118



gray 3105



anthracite 3106



black 3102

Lacquered Polyethylene

lighting

WHITE LED
Ref. 42014W



ice 2101

White internally lit unit with LED technology. Available only in matte ice white finish.

Ambients

