

High cone pot ø40x52

The most extensive collection of indoor and outdoor planters designed by Studio Vondom. Timeless and minimalist designs that allow you to create unique and original atmospheres for homes, restaurants and any space.

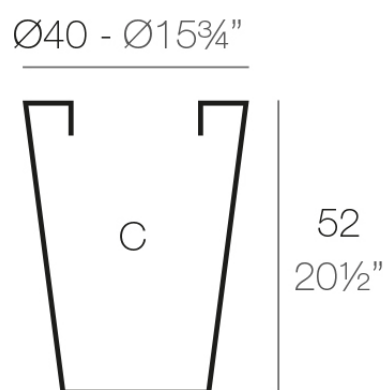


Info

Description

Pot made of polyethylene resin by rotational moulding. 100% Recyclable. Item suitable for indoor and outdoor use. Available in different finishes.

Weight: 1.15 Kg



CONO ALTO Ø40
HIGH CONE Ø15³/₄"

C = 67 L
C = 17³/₄ gal

Finishes

finishes

SIMPLE

Ref. 40540



white 2001



ecru 2003



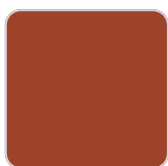
tortora 2004



cream 2017



camel 2020



clay 2022



garnet 2015



brown 2008



green 2016



blue 2018



gray 2005



anthracite 2006



black 2002



ecru granite



cream granite



ice 2101

Matt finishes pot one wall

LACQUERED

Ref. 40540F

VONDOM



white 3101



ecru 3103



tortora 3104



cream 3117



garnet 3113



brown 3125



green 3116



blue 3118



gray 3105



anthracite 3106



black 3102

Lacquered Polyethylene

Ambients

